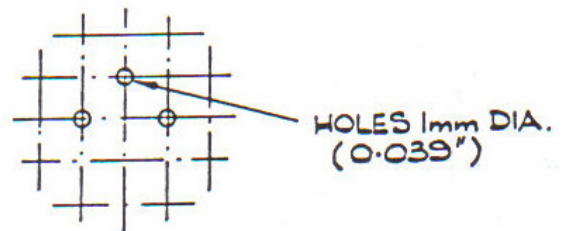
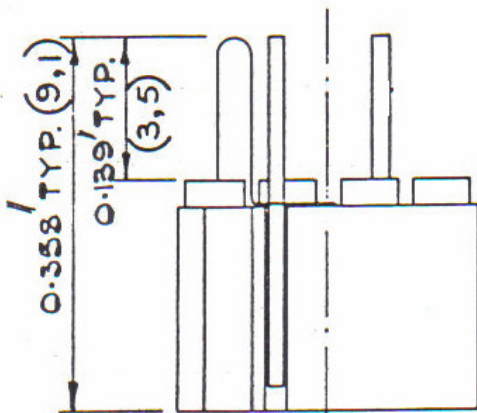
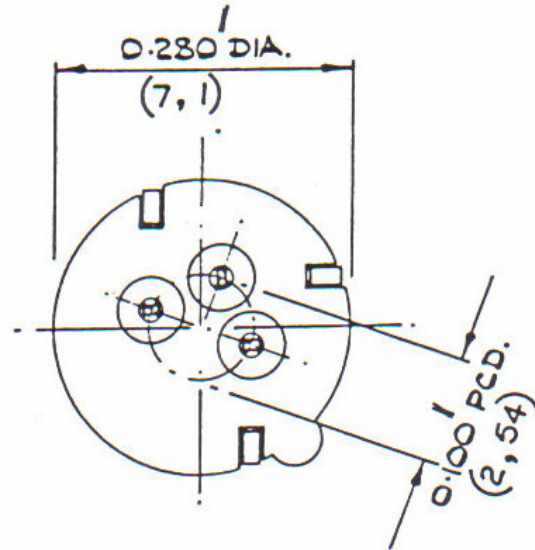
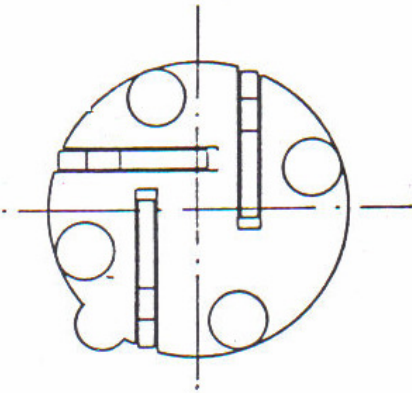


WINSLOW ADAPTICS

W3435G TRANSISTOR SOCKET TO18 STYLE, 3 PIN, 0.2" PCD

THIRD ANGLE PROJECTION



PC DRILLING - 3 HOLES ARRANGED ON 0.100 MATRIX.
(2, 54)

INSULATOR - 30% GLASS FILLED POLYESTER
RATED UL94V-0

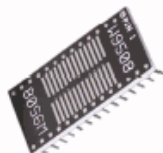
sales@winslowadaptics.com

DIP Support products from Winslow Adaptics

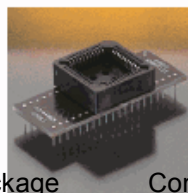
www.winslowadaptics.com



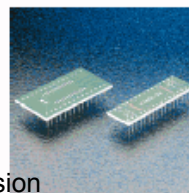
Custom Upgrades



Package



Conversion



Pitch Change

Also available from Winslow Adaptics are cost effective, time saving solutions to test, obsolescence, supply problems and upgrades. OEMs can upgrade equipment with custom Adaptics utilising additional logic, often saving considerable cost and time on re-design. If lead-time becomes an issue contact us for a suitable package converter. We specialise in conversion of all package lead-frames.