

PART NUMBER	DIMENSION "A"	DIMENSION "B"	DIMENSION "C"
700110	.016	.470	.560
700110-1	.062	.470	.560
700110-2	.016	.625	.705
700110-3	.032	.885 	1.000 

(F)



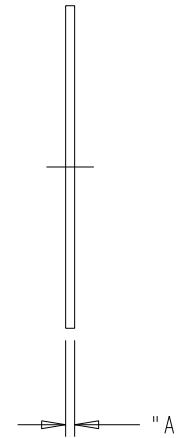
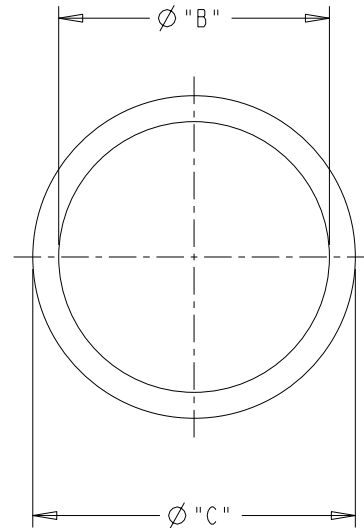
SCALE 1:1


700110			
REV	OCN #	DATE	APR
A	004381	09 SEP 81	JH
B	009741	23 AUG 01	RAS
C	022516	28 MAY 04	AH
D	022843	16 JUL 04	REO
E	025450	23 DEC 04	REO
F	025658	12 JAN 05	REO

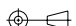
NOTES:

 DIMENSION "B" & DIMENSION "C" TO BE CONCENTRIC TO WITHIN .010

(F)



 MANUFACTURING  SPC

PROCESS: .	MATERIAL: 80 DUROMETER SHORE A NEOPRENE	OTTO CONTROLS DIVISION OF OTTO ENGINEERING INC. CARPENTERSVILLE, ILLINOIS USA	DESCRIPTION P7, WASHER-SEAL				
UNLESS OTHERWISE SPECIFIED: DIMENSIONS ARE IN INCHES. TOLERANCES ARE AS LISTED. MUST BE FREE FROM BURRS AND SHARP EDGES.	TOLERANCES .XX ±.01 .XXX ±.005 ANGLES ±1° SURFACES 64 MICROINCH DO NOT SCALE DRAWING.	THIS DOCUMENT IS THE CONFIDENTIAL PROPERTY OF OTTO ENGINEERING, INC.. IT IS NOT TO BE USED IN ANY WAY DETRIMENTAL TO THE INTERESTS OF OTTO ENGINEERING, INC..	DRWN. KS	SIZE	FSCM NO	DRAWING NO.	REV.
	CHKD. KS		A	21649	700110	F	
WT.			THIRD ANGLE PROJECTION 		Scale N/A	Sheet 1 OF 1	