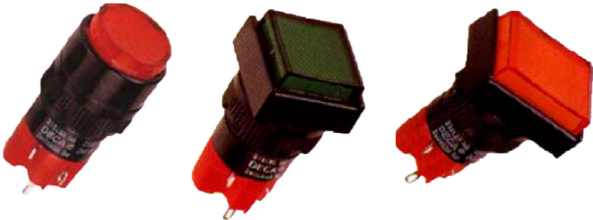


Round

Square

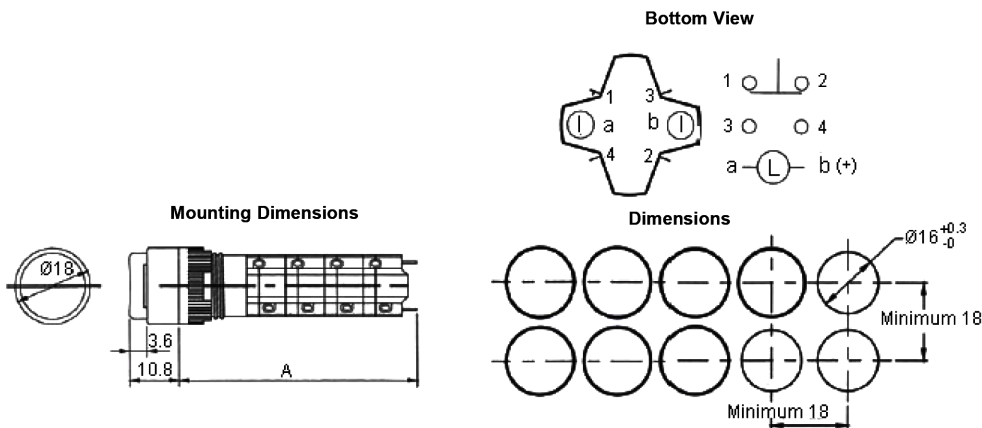
Rectangular



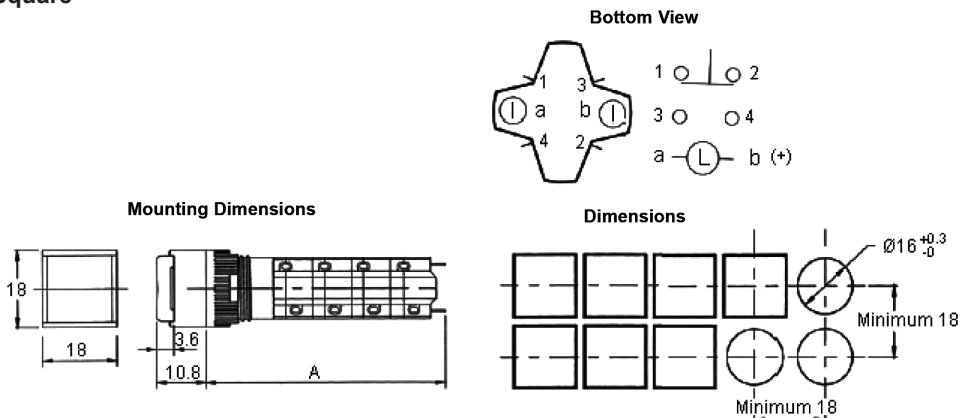
Specifications

Switch System	: Each contact block has one double break snap action switching mechanism
Switch Mode	: Momentary or alternate action, 1-4 poles
Contact Material	: Soldering type-silver is standard; socket type-pin with golden plating
Body Material	: High-grade temperature thermoplastic Contact housing moulded in electrical high-grade thermosetting plastic
Operating Travel	: 3mm
Actuating Force	: 2-5 N depending on number of contact block
Mechanical Lifetime	: > 2 million operations
Electric Rating	: 250V AC 5A, 125V AC 8A, 250V DC 0.2A and 24V DC 6A

Round

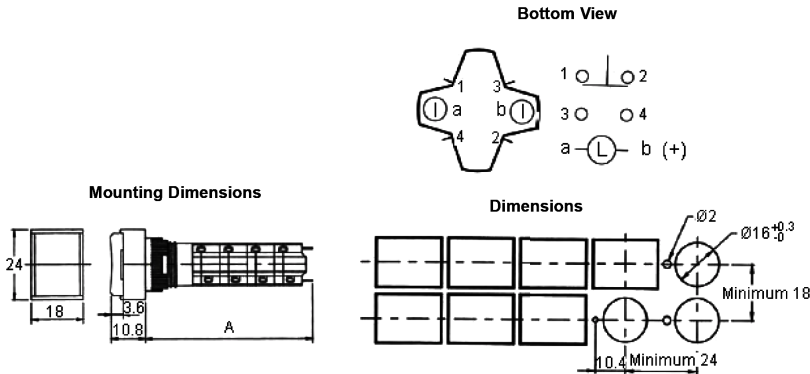


Square



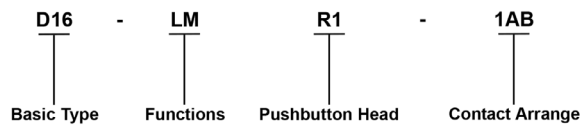
Dimensions : Millimetres

Rectangular



Dimensions : Millimetres

Part Number Explanation



Basic Type : D16 = Ø16 mm.

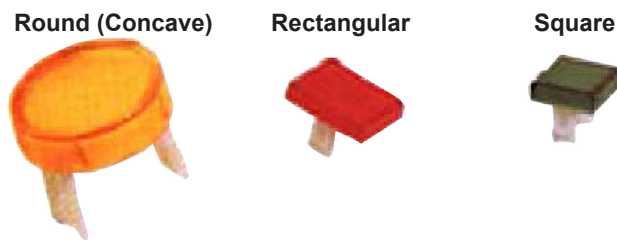
Functions : LM = Soldering type pushbutton switches with momentary action
 LA = Soldering type pushbutton switches with alternate action.

Pushbutton Head : **R1** **S1** **T1**



Contact Arrange : 1AB = 1 NO + 1 NC, 2AB = 2 NO + 2 NC

Lens



Part Number Table

Description	Part Number
Lens, Blue, Round, 18mm, for D16	50-001-01
Lens, Green, Round, 18mm, for D16	50-001-02
Lens, Orange, Round, 18mm, for D16	50-001-03
Lens, Red, Round, 18mm, for D16	50-001-04
Lens, White, Round, 18mm, for D16	50-001-05
Lens, Yellow, Round, 18mm, for D16	50-001-06

Description	Part Number
Lens, Blue, 18mm × 18mm, for D16	50-003-01
Lens, Green, 18mm × 18mm, for D16	50-003-02
Lens, Orange, 18mm × 18mm, for D16	50-003-03
Lens, Red, 18mm × 18mm, for D16	50-003-04
Lens, White, 18mm × 18mm, for D16	50-003-05
Lens, Yellow, 18mm × 18mm, for D16	50-003-06

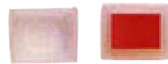
Description	Part Number
Lens, Blue, 18mm × 24mm, for D16	50-002-01
Lens, Green, 18mm × 24mm, for D16	50-002-02
Lens, Orange, 18mm × 24mm, for D16	50-002-03

Description	Part Number
Lens, Red, 18mm × 24mm, for D16	50-002-04
Lens, White, 18mm × 24mm, for D16	50-002-05
Lens, Yellow, 18mm × 24mm, for D16	50-002-06

Cap



Protection Cap



Spray Cover

Specifications

- 50-011-01 : For square head (90°)
- 50-010-01 : Most requirement of IP65, two pieces of transparent plastic, rectangular head
- 50-011-02 : For rectangular head (90°)

Part Number Table

Description	Part Number
Cover, Protection, 18mm × 18mm, for D16	50-011-01
Cover, Splashguard, 18mm × 24mm, for D16	50-010-01
Cover, Protection, 18mm × 24mm, for D16	50-011-02

Important Notice : This data sheet and its contents (the "Information") belong to the members of the AVNET group of companies (the "Group") or are licensed to it. No licence is granted for the use of it other than for information purposes in connection with the products to which it relates. No licence of any intellectual property rights is granted. The Information is subject to change without notice and replaces all data sheets previously supplied. The Information supplied is believed to be accurate but the Group assumes no responsibility for its accuracy or completeness, any error in or omission from it or for any use made of it. Users of this data sheet should check for themselves the Information and the suitability of the products for their purpose and not make any assumptions based on information included or omitted. Liability for loss or damage resulting from any reliance on the Information or use of it (including liability resulting from negligence or where the Group was aware of the possibility of such loss or damage arising) is excluded. This will not operate to limit or restrict the Group's liability for death or personal injury resulting from its negligence. Multicomp Pro is the registered trademark of Premier Farnell Limited 2019.