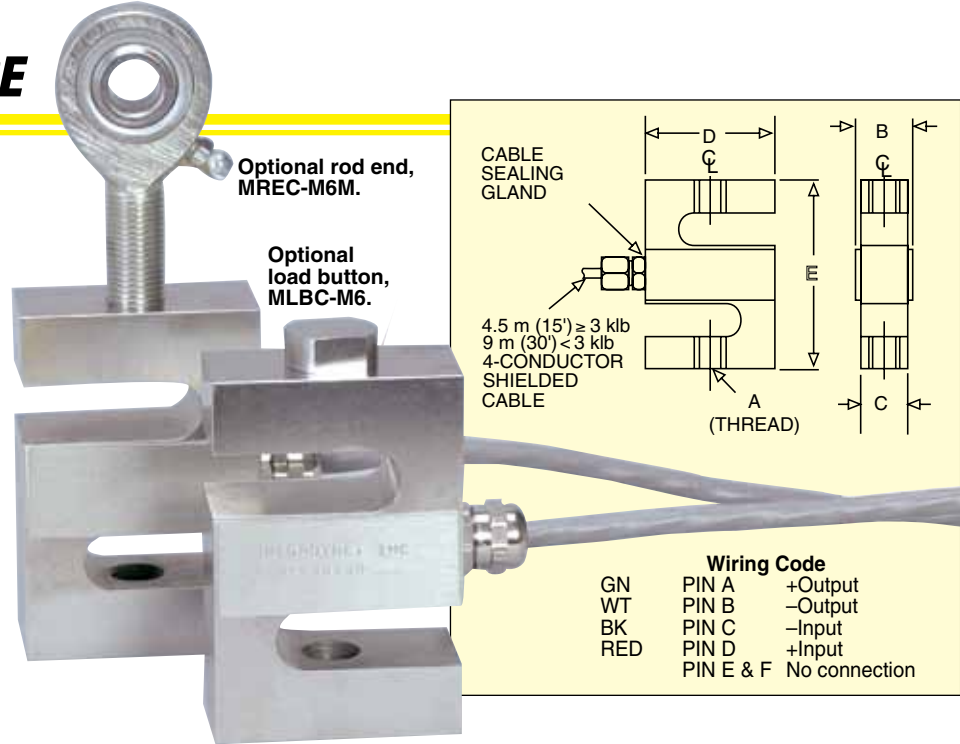


# STAINLESS STEEL "S" BEAM LOAD CELLS

## HIGH ACCURACY, ECONOMICAL PRICE

**Tension/Compression**  
**LCM101 (Cable Style)**  
**LCM111 (Connector Style)**  
**10 kgf to 10,000 kgf**

### LCM101/ LCM111 Series



LCM101-100, cable style,  
shown smaller than actual size.

- ✓ All Stainless Steel for Harsh Industrial Applications
- ✓ 0.25% Interchangeability for Multiple Load Cell Applications
- ✓ Calibrated in Tension
- ✓ 5-Point Calibration

Dimensions: mm (inch)

CAPACITY (kgf)	A	B	C	D	E	WEIGHT kg (lb)
10 to 100	M6 x 1.00	19 (0.75)	13 (0.50)	38 (1.5)	64 (2.5)	0.45 (1.0)
250 to 1000	M12 x 1.75	30 (1.17)	25 (1.0)	51 (2.0)	76 (3.0)	1.1 (2.5)
1500 to 2000	M16 x 2.0	32 (1.25)	25 (1.0)	51 (2.5)	89 (3.5)	1.6 (3.5)
5 K to 10 K	M24 x 2.00	44 (1.75)	38 (1.5)	76 (3.0)	108 (4.3)	2.0 (4.5)

**Electrical (LCM101):**  
 <100 kg: 9 m (30') 24 AWG  
 ≥250 kg: 4.6 m (15') 20 AWG  
 ≥1500 kg: 4.6 m (15') 20 AWG  
 (4-conductor shielded cable)

**Mating Connector (LCM111):**  
 ≤100 kgf: PT06F8-4S (sold separately)  
 ≥250 kgf: PT06F10-6S (sold separately)

### SPECIFICATIONS

Excitation: 10 Vdc, 15 Vdc maximum  
 Output: 3 mV/V ±0.0075 mV/V  
 Linearity: ±0.03% FSO  
 Hysteresis: ±0.02% FSO  
 Repeatability: ±0.01% FSO  
 Zero Balance: ±1% FSO  
 Operating Temp Range: -40 to 93°C (-40 to 200°F)  
 Compensated Temp Range: 17 to 71°C (60 to 160°F)  
 Thermal Effects:  
 Zero: 0.0018% FSO/°C  
 Span: 0.0018% FSO/°C  
 Safe Overload: 150% of capacity  
 Ultimate Overload: 300% of capacity  
 Input Resistance: 350 ±10 Ω  
 Output Resistance: 350 ±10 Ω  
 Full Scale Deflection: 0.25 to 0.50 mm  
 Construction: 17-4 PH stainless steel

### To Order

CAPACITY		MODEL		COMPATIBLE* METERS	LOAD BUTTON	ROD END
kgf	lbf	CABLE	CONNECTOR		MODEL NO.	MODEL NO.
10	22	LCM101-10	LCM111-10	iSeries, DP41-S, DP25B-S	MLBC-M6	MREC-M6M
25	55	LCM101-25	LCM111-25	iSeries, DP41-S, DP25B-S	MLBC-M6	MREC-M6M
50	110	LCM101-50	LCM111-50	iSeries, DP41-S, DP25B-S	MLBC-M6	MREC-M6M
100	220	LCM101-100	LCM111-100	iSeries, DP41-S, DP25B-S	MLBC-M6	MREC-M6M
250	551	LCM101-250	LCM111-250	iSeries, DP41-S, DP25B-S	MLBC-M12	MREC-M12M
500	1102	LCM101-500	LCM111-500	iSeries, DP41-S, DP25B-S	MLBC-M12	MREC-M12M
1000	2205	LCM101-1K	LCM111-1K	iSeries, DP41-S, DP25B-S	MLBC-M12	MREC-M12M
1500	3307	LCM101-1.5K	LCM111-1.5K	iSeries, DP41-S, DP25B-S	MLBC-M16	MREC-M16M
2000	4409	LCM101-2K	LCM111-2K	iSeries, DP41-S, DP25B-S	MLBC-M16	MREC-M16M
5000	11,023	LCM101-5K	LCM111-5K	iSeries, DP41-S, DP25B-S	MLBC-M24	MREC-M24M
10,000	22,046	LCM101-10K	LCM111-10K	iSeries, DP41-S, DP25B-S	MLBC-M24	MREC-M24M

Comes complete with 5-point NIST-traceable calibration.

\* Visit us online for compatible meters.

Ordering Examples: LCM111-100, 100 kgf capacity connector-style load cell.  
 PT06F8-4S, mating connector (not included). MREC-M6M, matching rod end.  
 MLBC-M6, matching load button. LCM101-2K, 2000 kgf capacity cable-style load cell  
 MREC-M16M, matching rod end.