

Blade Fuse

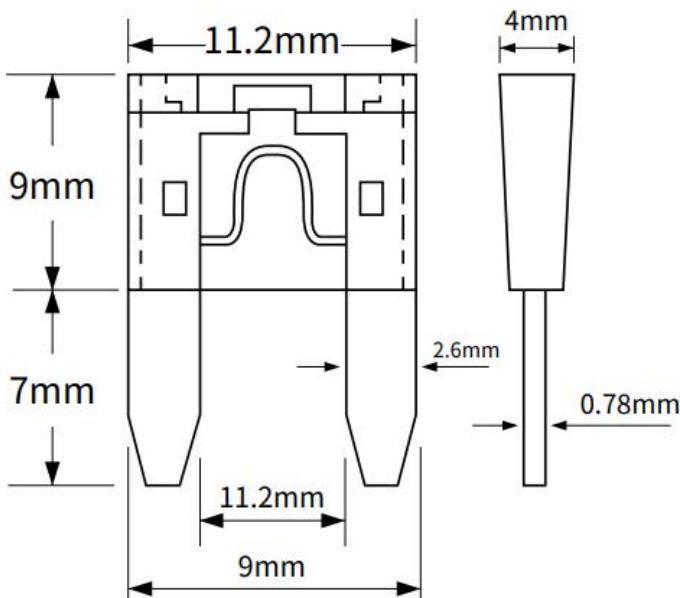
32V, Mini Fuse

multicomp PRO

RoHS
Compliant



Diagram



Dimensions : Millimetres

Electrical Characteristics			
% of Ampere Rating	Current Rating	Operating Time	
		Min.	Max.
110%	2 to 40 Amp	100 Hours	--
135%		0.75 Sec.	1800 Sec
200%		0.15 Sec.	5 Sec
350%		0.08 Sec.	0.25 Sec.

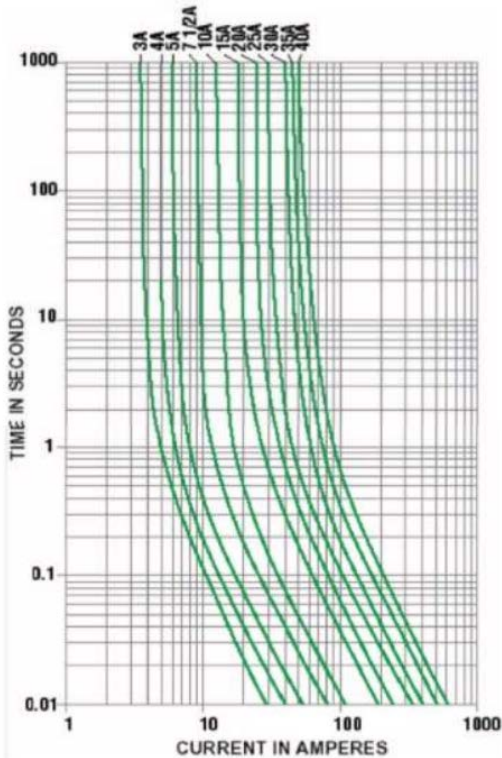
Newark.com/multicomp-pro
Farnell.com/multicomp-pro
sg.element14.com/b/multicomp-pro

multicomp PRO

Blade Fuse

32V, Mini Fuse

Average Time Current Curve



Part Number Table

Description	Part Number
Blade Fuse, 32V, 2A, 11.2mm x 17mm x 4mm, Gray	MP010305
Blade Fuse, 32V, 3A, 11.2mm x 17mm x 4mm, Violet	MP010306
Blade Fuse, 32V, 5A, 11.2mm x 17mm x 4mm, Tan	MP010307
Blade Fuse, 32V, 7.5A, 11.2mm x 17mm x 4mm, Brown	MP010308
Blade Fuse, 32V, 10A, 11.2mm x 17mm x 4mm, Red	MP010309
Blade Fuse, 32V, 15A, 11.2mm x 17mm x 4mm, Blue	MP010310
Blade Fuse, 32V, 20A, 11.2mm x 17mm x 4mm, Yellow	MP010311
Blade Fuse, 32V, 25A, 11.2mm x 17mm x 4mm, Natural	MP010312
Blade Fuse, 32V, 30A, 11.2mm x 17mm x 4mm, Green	MP010313
Blade Fuse, 32V, 4A, 11.2mm x 17mm x 4mm, Pink	MP010314

Important Notice : This data sheet and its contents (the "Information") belong to the members of the AVNET group of companies (the "Group") or are licensed to it. No licence is granted for the use of it other than for information purposes in connection with the products to which it relates. No licence of any intellectual property rights is granted. The Information is subject to change without notice and replaces all data sheets previously supplied. The Information supplied is believed to be accurate but the Group assumes no responsibility for its accuracy or completeness, any error in or omission from it or for any use made of it. Users of this data sheet should check for themselves the Information and the suitability of the products for their purpose and not make any assumptions based on information included or omitted. Liability for loss or damage resulting from any reliance on the Information or use of it (including liability resulting from negligence or where the Group was aware of the possibility of such loss or damage arising) is excluded. This will not operate to limit or restrict the Group's liability for death or personal injury resulting from its negligence. Multicomp Pro is the registered trademark of Premier Farnell Limited 2019.