

# Pluggable Terminal Blocks

# multicomp<sup>PRO</sup>

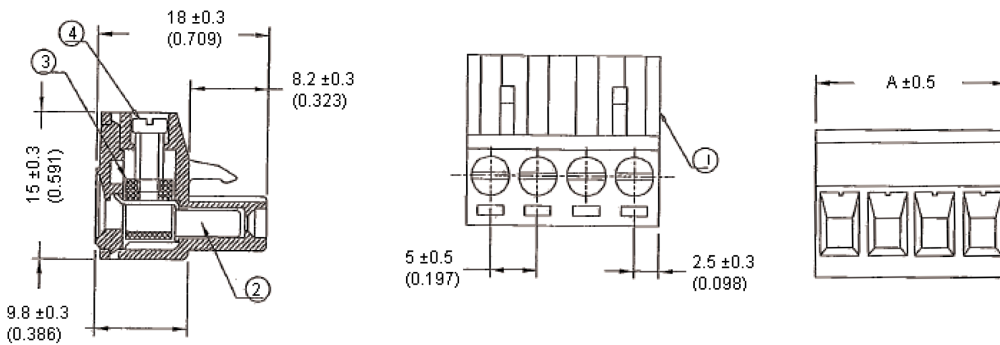
**RoHS  
Compliant**



## Specifications

Current Rating	: 16 Amperes, 300V AC
Min. Insulation Withstand Voltage	: 2,000V AC
Insulation Resistance	: > 2,000MΩ 500V DC
Operating Temperature	: -40°C to +105°C
Wire Strip Length	: 4mm to 5mm
Wire Range	: 12 AWG to 24 AWG
Screw Torque	: 7 lb-inch

## Diagram



Dimensions : Millimetres (Inches)

Pitch : 5mm (0.197 Inch)		
Pole	A (mm)	A (Inch)
2	10	0.394
3	15	0.591
4	20	0.787
5	25	0.984
6	30	1.181
8	40	1.575
10	50	1.969
12	60	2.362

No.		Material	Plating/Finish	Remark
1	Insulating Body	Polyamide 66	-	Green
2	Contact	Phosphor Bronze	Tin plated	-
3	Cage Clamp	Brass	Ni plated	-
4	Screw	Steel	Zinc+Cr <sup>+3</sup>	-

## Part Number Table

Description	Part Number
Plug 5mm Straight 16A 02 Way	MC000136
Plug 5mm Straight 16A 03 Way	MC000137
Plug 5mm Straight 16A 04 Way	MC000138
Plug 5mm Straight 16A 05 Way	MC000139
Plug 5mm Straight 16A 06 Way	MC000140
Plug 5mm Straight 16A 08 Way	MC000141
Plug 5mm Straight 16A 10 Way	MC000142
Plug 5mm Straight 16A 12 Way	MC000143

**Important Notice :** This data sheet and its contents (the "Information") belong to the members of the AVNET group of companies (the "Group") or are licensed to it. No licence is granted for the use of it other than for information purposes in connection with the products to which it relates. No licence of any intellectual property rights is granted. The Information is subject to change without notice and replaces all data sheets previously supplied. The Information supplied is believed to be accurate but the Group assumes no responsibility for its accuracy or completeness, any error in or omission from it or for any use made of it. Users of this data sheet should check for themselves the Information and the suitability of the products for their purpose and not make any assumptions based on information included or omitted. Liability for loss or damage resulting from any reliance on the Information or use of it (including liability resulting from negligence or where the Group was aware of the possibility of such loss or damage arising) is excluded. This will not operate to limit or restrict the Group's liability for death or personal injury resulting from its negligence. Multicomp Pro is the registered trademark of Premier Farnell Limited 2019.

Newark.com/multicomp-pro  
Farnell.com/multicomp-pro  
Element14.com/multicomp-pro

# multicomp<sup>PRO</sup>