



Unit 17-19, Klaxon Industrial Estate,  
Warwick Road, Tyseley,  
Birmingham B11 2HA, England

**MOFLASH**  
SIGNALLING

**T** ++ 44 (0) 121 707 6681  
**F** ++ 44 (0) 121 707 8305  
**E** sales@moflash.co.uk  
**W** www.moflash.co.uk

Moflash Signalling Limited reserves the  
right to modify product specifications  
without prior notice within our policy  
of continual product development.

ISSUE 6 MOFLASH SIGNALLING CATALOGUE INDUSTRIAL > HAZARDOUS AREAS > FIRE > MARINE > ACOUSTIC SIGNALLING DEVICES > PROCESS CONTROL

**MOFLASH**  
SIGNALLING





S & A

**Selection & Application**

Environmental Factors > Types of Beacons > Levels of Brightness > Lens Colour > Audibility > Installation > Marks & Directives > IP Ratings > Icon Legends

P 04-09

Flashing Filament

**Flashing Filament Beacon Range**

FF125 Series > FF125ES Series > FFA125 Series > FF201-200 Series > FF401-400 Series

P 10-16

LED

**LED Beacon Range**

LED02/03 Series > LED125 Series > LEDA125 Series > LEDD125 Series > LED201/200 Series > LED400/401 Series > LEDA600 Spectrum

P 17-25

Rotating Beacon

**Rotating Beacon Range**

R201/200 Series > RA201/200 Series > R401/400 Series

P 26-28

Static Beacon

**Static Filament Beacon Range**

SF125 Series > SFA125 Series > SF201/200 Series > SF401/400 Series

P 29-33

Xenon Beacon

**Xenon Beacon Range**

X75 Series > X100 Series > X125 Series > X125ES Series > X195 Series > X201/200 Series > X250 Series > X401/400 Series > X501/500 Series

P 34-44

Explosion Proof

**Explosion Proof Range**

Xenon Beacon > IS Mini LED Beacon > Audible Sounder > UL Explosion Proof Bell > UL Explosion Proof Buzzer

P 45-51

Obstacle Marking

**Obstacle Marking Light Range ICAO Approved**

LED501/500 Series > FF98MB Series > FF98SF Series > LED-04-2000-02

P 52-54

Automotive Signalling

**Automotive Beacon Range**

Rotating MB Range > Rotating SF Range > Xenon MB Range > Xenon SF Range

P 55-59

Acoustic Signalling

**Acoustic Range**

Piezo Buzzer Range > Industrial & Marine Buzzer Range > Electronic Sounder > Industrial & Marine Air Horn Range > Industrial Hooters Range > Fire Bell > Industrial & Marine Bells

P 60-73

Accessories

**Accessories Range**

Wall Brackets > Cage Guards > Pipe Brackets > Anti Vibration Mounts > Domes

P 74-76

# Welcome to the world of Moflash

Moflash Signalling is one of the largest independent manufacturerers of signalling devices in the UK.

Based in Birmingham at the heart of Great Britain, Moflash Signalling is one of the largest independent manufacturers of signalling devices in the UK. Formed from the Moflash Company Co Ltd in 1997, the company has grown dramatically over the last 10 years with the introduction of a number of new product lines and with the acquisition of signalling products from other manufacturers such as the Klaxon range of hooters and horns now produced in the Moflash factory.

The company produces the following types of devices: Incandescent Beacons - both flashing and static, LED and Xenon Beacons, as well as the traditional Rotating Beacons for which Moflash is world famous. On the acoustic side of the business, the company offers Buzzers, Hooters including the iconic Klaxet and ES, Bells, Electronic Sounders, Air Horns and Piezo devices for the following markets

**industrial signalling**  
**process control status indication**  
**fire and security**  
**hazardous location**  
**obstruction marking**  
**marine**  
**automotive**  
**safety and protection**

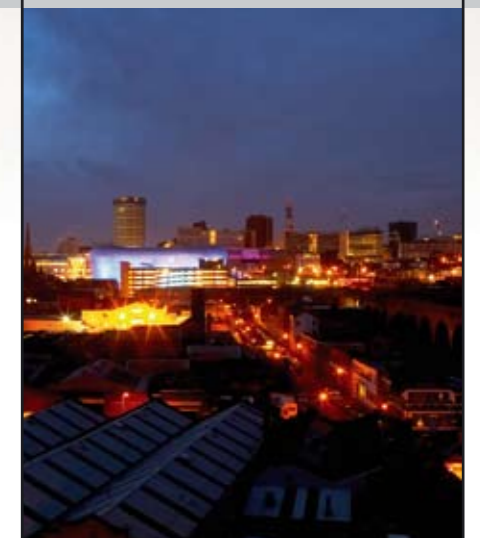
Moflash serves a diverse range of customers from electrical wholesalers and contractors to global distribution organisations, original equipment manufacturers, engineering consultants, switchboard manufacturers and a variety of end users such as mining manufacturing and electrical and gas utilities, to name but a few.

With its programme of development Moflash is in a strong position to keep meeting the increasing demands of a safety conscious world with its dedicated team based in the UK and the excellent distribution partners spread across 30 countries worldwide. Our products are always available to meet the customer's needs.

Moflash can modify or design a beacon to your specific needs. If our standard products are outside the scope of your project, please speak with our technical department to see if we can help, or e-mail you requirements via our contact page on the Moflash web site. All projects will be considered on their commercial viability.

And finally our commitment to quality and service continues today as it did when we formed 10 years ago: it underpins our focus and passion for our industry. We believe the next ten years may be even brighter.

**MOFLASH**  
SIGNALLING



## Selection & Application

### Visual Warning Signals

The environment in which the beacon is to be installed will determine the product type and light intensity that is required for any application. Thus a beacon designed for Industrial use incorporating a very high light output would not be suitable for local signalling at a control panel. Alternatively a low light output beacon would be ineffective for large factory environment.

Generally Moflash can supply beacons for all types of applications. Listed below are some of the main market areas.

### Automotive

Warning beacons for use on automobiles (commercial & private) agricultural / off road vehicles and forklift trucks etc.

For further information see our Automotive section.

### Industrial & Marine

Warning beacons for heavy duty, high light output applications such as foundries, factory shopfloors, large warehouses, docks, ports and general offshore use etc.

For further information see our Industrial & Marine section.

### Fire & Security

Warning beacons for light duty, low to medium light output to give local indication such as offices, hospitals and schools.

For further information see our Fire & Security section.

### Explosion Proof

Warning beacons for use in potentially explosive environments such as oil rigs, refineries and mines etc..

For further information see our Hazardous Areas section.

## Environmental Factors determining Selection

- Safe atmosphere or potentially explosive atmosphere
- The ambient level of existing light
- The light output required from the beacon
- The duration the beacon has to operate
- The IP rating of the beacon
- The electrical supply available

## Types of Visual Warning Beacons Available

Moflash manufactures five different types of Visual Warning beacons.

### Rotating Beacons – ‘R’

A parabolic reflector, driven by an electric motor, revolves around a continuously illuminated bulb on the vertical axis of the beacon creating a powerful beam of light travelling through 360 degrees. These units are available with either a filament or a tungsten halogen bulb. In general this type of beacon has a greater degree of light output than other models but this is reduced as the parabolic reflector only illuminates one given point at a time.

### Flashing Filament Beacons – ‘FF’

Operating through an internal circuit, which simply cycles the bulb On, and Off. These type of beacons generally give a much lower light output as it takes longer for the bulb to fully illuminate itself. These units are available with either a filament or tungsten halogen bulb. The light output can be improved by the use of a Dioptric (Fresnal) lens which is placed over the bulb capturing the light emitted, magnifying and directing it to increase the brightness of the visual signal. In terms of light coverage this type of beacon is more efficient as it illuminates the whole surface of the beacon constantly through 360 degrees.

### Static Filament (Continuous) Beacons – ‘SF’

These units are identical to Flashing Filament beacons with the exception that they do not operate through an On, and Off cycle. When the unit is energised the light source stays permanently ‘On’. The main advantage of this type of beacon is that the light can be controlled by a separate source i.e. a control panel, giving the unit more flexibility. These units are available with either a filament of tungsten halogen bulb.

### Xenon (Strobe) Beacons – ‘X’

A discharge capacitor operating through a converter circuit ignites xenon gas inside a tube creating a brilliant flash of light. Xenon gas ignites virtually instantaneously so maximum brightness is obtained immediately. This signal can be improved further by the use of a Dioptric (Fresnal) lens as described earlier. In some Moflash models a ‘Double Flash’ option is also available which extends the signal duration making it more noticeable to the human eye. see X88, X201/200, X401/400 & 501/500.

Xenons have an added advantage of low current consumption combined with long life. The tube life of a xenon beacon is approximately 5 million flashes. These units are the most efficient available incorporating a 360-degree light output with the brightest and most effective visual signal.

## LED Beacons - ‘LED’

A Light emitting diode (LED) is a semiconductor device that emits visible light when an electric current passes through it. The four major benefits of LED technology incorporated into warning beacons are:

- **Low power requirement**
- **High efficiency**
- **Very long life**
- **Multiple Colour Signal options in a single beacon enclosure**

Moflash offer a range of LED options, from beacons containing 8 off LEDs up to 144 off LEDs in a single enclosure. They can be set in various modes of operation from **Flashing, Static and Rotating**. Some beacons have a combined **Audible & Visual** option. **Ethernet** compatible and **PLC** controllable beacons also make up the range along with high ‘Ingress Protection’ enclosures.

## Level of Brightness

Brightness depends upon the type of beacon chosen the rated power output of the unit i.e.: Watts and Joules, the distance that the signal is observed from and the dome colour of the beacon used. In general if the viewing distance is doubled the light intensity observed is reduced to a quarter and if the distance is quadrupled the light intensity is reduced to a sixteenth.

## Beacon Lens Colours

The intensity of the light can be greatly reduced as it passes through the dome of the beacon. The extent of this reduction is dependent upon:

- The type of light source used i.e. conventional filament (Incandescent) bulb, tungsten halogen bulb or a xenon tube
- The colour of the beacon lens that is used.

The table below gives an indication of the percentage of light that will pass through the beacon dome for different light sources and dome colours.

COLOUR	FILAMENT	HALOGEN	XENON
Clear	100%	100%	100%
Amber	70%	70%	70%
Red	30%	27%	23%
Green	12%	15%	25%
Blue	8%	10%	13%

Different dome colours are used to convey different messages to the observer.

**RED** = Serious danger act now!

**AMBER** = warning proceed with care

**GREEN** = ok proceed as normal

**BLUE** = specific process notice/warning

Alternatively Green colour beacons are used by Doctors and Veterinarians and Blue beacons for the Police and Fire departments.

## Audibility

Simply producing an audible sound when the beacon is illuminated. This is of particular use in low level noisy environments if the warning light is obscured from direct viewing or as a back-up warning should the bulb fail.

## Installation and Maintenance of Visual Warning Beacons

- When installing a Hazard Warning Beacon care should be taken to position it in the most effective location to allow for all round light visibility and to maintain the IP (Ingress Protection) rating of the beacon. Therefore the following parameters should be noted:
  - To maintain the IP rating, the beacon should be mounted with the dome above the black moulded base. Never mount the unit with the dome horizontal or below base position.
  - Always fit mounting gasket provided (200/1 400/1 & 500/1 series models only) and ensure the ‘O’ ring is in place between the dome and base.
  - Fit a suitably IP rated cable gland (not supplied) where appropriate.
  - Regularly clean the beacon dome, as this will improve light output and help dissipate heat build up in the beacon. Do not clean dome with petroleum based cleaners.
  - Areas of vibration should be avoided. If this is not possible, then out Anti-Vibration mount must be used. Reference 50080 (available for 88/125 & 200/1 series models only).
  - Avoid situation Xenon beacons in close proximity to communication aerials or equipment and power lines that may be subject to high voltage transients.
  - DC voltage Xenon beacons should only be run on a smoothed rectified supply.
  - Unlike Incandescent lamps which fail instantly, Xenon tubes deteriorate very slowly. The impending failure of the tube will be indicated by erratic flashing. Once this is recognised the tubes should be replaced immediately. Failure to do so may result in damage to the electrical circuit.
- Always disconnect the beacon from the supply before attempting maintenance. In addition, allow Xenon beacons at least 15 minutes to self-discharge before removing the dome as high voltages will remain on the pcb for this period of time.

## The CE Mark

The Moflash products that show the CE mark, are deemed to comply, where applicable, with the EMC Directive No: 89/366/EEC and additional amendments, regarding Electromagnetic Compatibility which states that 'An electrical product must not be susceptible to, or generate certain levels of, electromagnetic interference liable to interfere with other electronic equipment', and the LVD Directive No: 2006/95/EC regarding low voltage electrical material which states that 'Electrical equipment within the voltage ranges of 50 to 1000v Ac and 75 to 1500v Dc are constructed within the principles of good engineering practice and provide adequate levels of protection against an electric shock'.

## The Machinery Directive 2006/42/EC

These directives are designed to harmonise wide ranging health and safety requirements in machinery design and daily use by indicating a potential hazard by the use of an immediately recognisable audible or visual warning signal.

## prEN 842 Safety of Machinery : Visual Warning Signals

Classifies the type of warning light and specifies the characteristics the warning light must achieve to conform to the machine directive.

### Warning Signals

Visual warning signals must be at least five times brighter than the area where they are used.

### Danger Signals

Clearly visible even in strong light, distinguishable from other lights and Visual warning signals and be understood immediately.

### Emergency Signals

These have the highest priority and must be at least ten times brighter than the area that they are to be used in and understood immediately.

## IEC 73 - Colours of Luminous Indicators & Push Buttons

Establishes the various meanings of coloured luminous indicators and push buttons to conform to the machine directive.

### Colour: RED

DANGER ACT NOW  
Danger of live or unguarded  
Moving machinery or essential  
Equipment in protected zone

### Colour: AMBER

WARNING: PROCEED WITH CARE  
Temperature of pressure different  
from normal level

### Colour: GREEN

SAFETY PRECAUTION: GO AHEAD  
Checks complete the machine  
is about to start

### Colour: BLUE

SPECIFIC MEANING GIVEN DEPENDING ON  
SITUATION  
Pre-set ready or remote control

### Colour: CLEAR

NO SPECIFIC MEANING  
Could confirm an earlier message

All Moflash coloured domes are manufactured from 'UV' stable polycarbonate plastic that will not tarnish, fade or become brittle over a period of time unlike many domes available that are produced from Acrylic plastic.

## Hazardous Areas to Meet ATEX Approval

The risk of an explosive atmosphere being formed is obviously a variable factor being dependent upon the conditions in a given environment. Thus in order to achieve a consistent level of safety, hazardous areas are classified into three zones.

### Zone 0

A zone in which an explosive atmosphere is constantly present, or present for long periods.

### Zone 1

A zone in which an explosive atmosphere is likely to occur in normal operation.

### Zone 2

A zone in which an explosive atmosphere is not likely to occur in normal operation, and if it occurs it will exist only for a short time

## Apparatus Groups (Gas Groups)

Apparatus for use in hazardous areas is, where appropriate, grouped in one of four sub-groups, namely I, IIA, IIB, IIC. Apparatus Sub-Grouping is normally applied to Flameproof and Intrinsically safe types of protection. Other types of protection apply equally to all gases subject only to temperature classification.

The following table shows the relationship between the apparatus group and the Representative gas.

Apparatus Group	Representative Gas
I ( Mining )	Methane
IIA	Propane
IIB	Ethylene
IIC	Hydrogen

## Maximum Surface Temperature

A gas/air mixture can ignite when it comes into contact with excessively hot surface. The surface temperature at which equipment operates is therefore of crucial importance. The equipment is temperature classified as follows:

Class	T1	T2	T3	T4	T5	T6
Max Surface Temperature in Centigrade	450C	300C	200C	135C	100C	85C

**Note:** The above information is intended as a guide only. The selection of Hazardous area equipment should only be undertaken by a suitably qualified Engineer and installed according to the relevant standards.

## IP Ratings

The IP 'Ingress Protection' rating system provides a means of classifying the Degrees of protection from dust and water afforded by electrical equipment and enclosures. The system is recognised in most countries and is set out in BS EN60529 1992 Degrees of Protection.

### First Number

Protection Against Solids

IP	Test
0	No protection
1	Protection against solid objects over 50mm eg accidental touch by hands
2	Protection against solid objects over 12mm eg fingers
3	Protection against solid objects over 2.5mm [tools & wires]
4	Protection against solid objects over 1mm [tools, wires & small wires]
5	Protection against dust – limited Ingress [no harmful deposit]
6	Totally protected against dust

### Second Number

Protection Against Liquids

IP	Test
0	No protection
1	Protected against vertically falling drops of water
2	Protected against direct sprays of water up to 15° from the vertical
3	Protection against sprays 60° from the vertical
4	Protection against water sprayed from all directions – limited Ingress permitted
5	Protection against low pressure jets of water sprayed from all directions – limited Ingress permitted
6	Protection against strong pressure jets of water eg for use on shipdecks – limited Ingress permitted
7	Protection against the effects of temporary immersion between 15cm and 1m. Duration of test 30minutes
8	Protection against long periods of immersion under pressure
9K	Protection against strong pressure jets of water (80-100 bar) at a temperature of 80°C for durations of 30 seconds. Simulating pressure cleaning conditions on a plan floor (Food Industry etc)

# SELECTION & APPLICATION

## MOFLASH

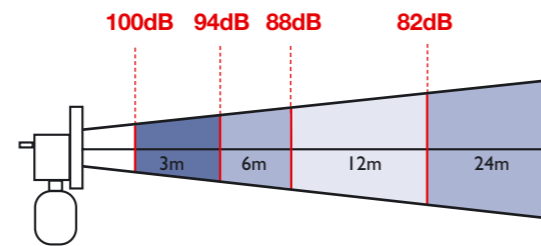
**Buzzers** Either Electro Mechanical type where the diaphragm is deflected by a moving magnet which is triggered by a make and break contactor or the Piezo type where the diaphragm is controlled by an electronic circuit. The Mechanical versions offer medium/high dB output with low frequency sound and are of robust construction. Piezo versions are relatively low dB and high frequency and are only suitable for local signalling applications.

**Electronic Sounders** The Electronic Sounder is a versatile acoustic signal incorporating 8 individual tones. It incorporates a medium dB output with a distinctive multi-tone frequency option to indicate various processes, a second one can be remotely switched via a third wire. This type of signal is suitable for fire alarm use and conforms to the current EC regulations.

**Airhorns** Air horns are non-electrical devices that only operate from a compressed air supply. They offer very high dB output with very low frequency sound making them ideal for very noisy environments. Moflash offers an industrial and marine range. Being non-electrical they can be used in hazardous area Category 1 use.

**Bells** Bells are a cost effective traditional signalling device with a wide range of signalling applications. They offer medium dB output with a unique sound. Moflash offers two types: solenoid driven for industrial applications where they are under constant daily use, and a motor driven type more suitable for fire alarm applications.

**Hooters** Hooters are powerful motor driven horns producing the unique and never forgotten 'Klaxon' sound used the world over. A serrated rotor driven against a hardened steel diaphragm stud creates a high dB output with low frequency sound. These types of signals are ideal for indoor and outdoor applications where a rugged and durable sounder is required.



m	dB (A)																									
1	65	70	75	80	85	90	92	94	96	98	100	102	104	106	108	110	112	114	116	118	120	122	124	126	128	130
2	59	64	69	74	79	84	86	88	90	92	94	96	98	100	102	104	106	108	110	112	114	116	118	120	122	124
3	55	60	65	70	75	80	82	84	86	88	90	92	94	96	98	100	102	104	106	108	110	112	114	116	118	120
5	51	56	61	66	71	76	78	80	82	84	86	88	90	92	94	96	98	100	102	104	106	108	110	112	114	116
10	45	50	55	60	65	70	72	74	76	78	80	82	84	86	88	90	92	94	96	98	100	102	104	106	108	110
20	39	44	49	54	59	64	66	68	70	72	74	76	78	80	82	84	86	88	90	92	94	96	98	100	102	104
30	35	40	45	50	55	60	62	64	66	68	70	72	74	76	78	80	82	84	86	88	90	92	94	96	98	100
50	=	36	41	46	51	56	58	60	62	64	66	68	70	72	74	76	78	80	82	84	86	88	90	92	94	96
100		=	=	40	45	50	52	54	56	58	60	62	64	66	68	70	72	74	76	78	80	82	84	86	88	90
200				=	39	44	46	48	50	52	54	56	58	60	62	64	66	68	70	72	74	76	78	80	82	84
300					=	40	42	44	46	48	50	52	54	56	58	60	62	64	66	68	70	72	74	76	78	80
500						=	38	40	42	44	46	48	50	52	54	56	58	60	62	64	66	68	70	72	74	76
1000							=	=	=	38	40	42	44	46	48	50	52	54	56	58	60	62	64	66	68	70
2000								=	=	=	38	40	42	44	46	48	50	52	54	56	58	60	62	64	66	68
3000									=	=	38	40	42	44	46	48	50	52	54	56	58	60	62	64	66	68
5000										=	=	38	40	42	44	46	48	50	52	54	56	58	60	62	64	66

### Lens Colours

01	Amber	Ambar	Gelb	Jaune	Arancio
02	Red	Rojo	Rot	Rouge	Rosso
03	Blue	Azul	Blau	Bleu	Blu
04	Green	Verde	Grün	Vert	Verde
05	Clear	Transparente	Klar/Durchsichtig	Transparent	Incolore

# SELECTION & APPLICATION

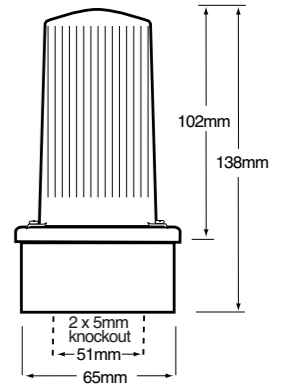
### Icon Legends

<b>FPM 60</b>	Single or Double flashes per minute. Shows the unit has a double flash option	Flashes Simples o Dobles por minuto. Muestra que la unidad tiene una opción de doble flash	Einfacher oder Doppelblitz pro minute. Zeigt, ob das Gerät die Doppelblitzfunktion hat	Signaux clignotants simples ou doubles par minute. Indique que l'unité est équipée d'une option de signal clignotant double	Flash singoli o doppi al minuto. Indica che il dispositivo può fornire flash doppi
<b>RPM 120 AC</b>	Revolutions per minute	Revoluciones por minuto	Umdrehungen pro minute	Tours / minute	Giri al minuto
<b>IP 65</b>	Ingress Protection of the Unit	Grado de protección IP	Einbruchschutz	Protection de l'unité	Indice di protezione del dispositivo
<b>°C -40+60</b>	Operating Temperature in Centigrade	Temperatura de funcionamiento	Arbeitstemperatur des gerates	Temperatures de service de l'unité	Temperatura di funzionamento in gradi centigradi
<b>Kg 0.2 to 0.3</b>	Boxed weight including the Dome	Peso empaquetado incluida la cupula	Verpackungsgewicht einschließlic haube	Poids conditionne, y compris partie supérieure	Peso inscatolato con calotta
<b>50/60 Hz</b>	Operates on a frequency of 50/60 Hz AC	Funciona a una frecuencia de 50/60 Hz AC	Arbeitet bei 50/60 Hz wechselstrom	Fonctionne sur une fréquence de 50/60 Hz CA	Funziona con 50/60 Hz in CA
<b>dB 100</b>	Fitted with Audible Sounder. Indicates Decibel level at 1 meter	Dispone de dispositivo acustico. Indica el nivel de decibelios a 1 metro	Mit akustischem signal versehen. Gibt lautstärke in dB in 1 m entfernung an	Equipe d'un signal sonore. Indique le niveau de decibel a 1 m	Dotato di segnalatore acustico. Indica i dB a 1m
<b>MARINE</b>	Suitable for use in marine applications	Utilizable en aplicaciones marítimas	Geeignet für Anwendungen im Schiffs - und Marinereich	Approprié aux applications en milieu naval	Idonei per applicazioni navali
<b>FIRE</b>	Suitable for use in fire alarm systems	Utilizable en sistemas de alarma anti incendios	Geeignet für Anwendungen in Brandmeldeanlagen	Approprié aux installations de lutte contre le feu	Idonei per impianti anticendio
<b>INDUSTRIAL</b>	Suitable for use in industrial applications	Válido para uso en aplicaciones industriales	Geeignet für industrielle Anwendungen	Convient aux applications industrielles	Adatto per impiego nel settore industriale
<b>AUTOMOTIVE</b>	Suitable for use in automotive applications	Válido para uso en aplicaciones de automoción	Geeignet für Anwendungen im Automobilbereich	Convient aux applications automobiles	Adatto per impiego nel settore dell'auto
<b>OBSTACLE MARKING</b>	Suitable for obstacle marking applications	Válido para uso en aplicaciones de balizamiento	Geeignet für Hinderniss-beleuchtung im Luftfahrtbereich	Convient aux applications de marquage d'obstacle	Adatto per segnalazione ostacolo aereo
<b>EXPLOSION PROOF</b>	Suitable for explosive proof applications to ATEX approval	Válido para uso en aplicaciones en zonas de riesgo con certificación ATEX	Geeignet für explosionsgeschützte Anwendungen mit ATEX - Zulassungen	Convient aux applications antidéflagrantes répondant à la norme ATEX	Adatto per impiego in atmosfera esplosiva secondo omologazione ATEX
<b>UL EXPLOSION PROOF</b>	Suitable for explosive proof applications to UL approval	Válido para uso en aplicaciones en zonas de riesgo con certificación UL	Geeignet für explosionsgeschützt e Anwendungen mit UL - Zulassungen	Convient aux applications antidéflagrantes répondant la norme UL	Adatto per impiego in atmosfera esplosiva secondo omologazione UL

MOFLASH



Visual Signals  
FLASHING FILAMENT  
**BEACONS**



Industrial Flashing Filament Beacons >  
FF125 Series

Product overview

The FF125 series operates through an internal circuit which simply cycles the lamp On and Off. These type of beacons generally give a much lower light output as it takes longer for the lamp to

fully illuminate itself. These units are supplied with a filament lamp. In terms of light coverage, this type of beacon is more efficient as it illuminates the whole surface of the beacon constantly through 360 degrees. The FF125 series is ideal for low cost, local signal applications.

**Features**

- Continuously rated
- Easy to clean external lens
- Suitable for surface or wall mounting
- Optional wall bracket & protective guard available - see accessory page
- 360° visibility
- IP65

**Material**

- UV Stable Polycarbonate Lens
- UV Stable ABS Plastic Base

INCANDESCENT  
TUNGSTEN HALOGEN  
LED & XENON STROBE  
TYPE BEACONS

Code No:	Voltage:	Light Source:	Current:
FF125-80	12v Dc ---	Ba15d x 21w	1.75 A
FF125-81	24v Dc ---	Ba15d x 21w	0.88 A
FF125-82	115v Ac ~	Ba15d x 15w	0.13 A
FF125-83	230v Ac ~	Ba15d x 15w	0.07 A



**Kg** 0.20

50/60 Hz

°C -25+66

**IP** 65

**FPM** 60

**INDUSTRIAL**



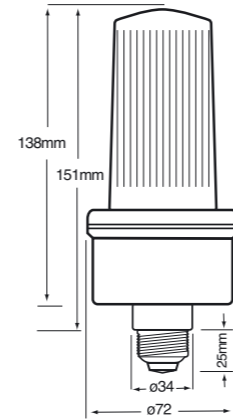
ADD THE FOLLOWING LENS CODES TO THE PRODUCT CODE WHEN ORDERING





## Visual Signals FLASHING FILAMENT

### BEACONS



## Industrial Flashing Filament Beacons > FF125ES Series

### Product overview

The FF125ES Series operates through an internal circuit which simply cycles the lamp On and Off. These type of beacons generally give a much lower light output as it takes longer for the lamp to

fully illuminate itself. These units are supplied with a filament lamp. In terms of light coverage, this type of beacon is more efficient as it illuminates the whole surface of the beacon constantly through 360 degrees. The ES Series is ideal for easy or temporary installation due to the E27 screw base.

#### Features

- Continuously rated
- Easy to clean external lens
- 360° visibility
- Simple and quick installation
- IP65

#### Material

UV Stable Polycarbonate Lens  
UV Stable ABS Plastic Base



Code No:	Voltage:	Light Source:	Current:
FF125ES-76	115v Ac ~	Ba15d x 15w	0.13 A
FF125ES-77	230v Ac ~	Ba15d x 15w	0.07 A

Kg 0.22

50/60 Hz

°C -25+66

IP 65

FPM 60

INDUSTRIAL

APPROVAL AND CONFORMITIES



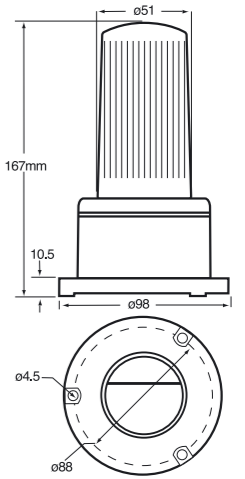
ADD THE FOLLOWING LENS CODES TO THE PRODUCT CODE WHEN ORDERING

01 02 03 04 05



## Visual Signals FLASHING FILAMENT > AUDIBLE

### BEACONS



## Industrial Flashing Filament Beacons: Audible Beacons > FFA125 Series

### Product overview

The FFA125 Series operates through an internal circuit which simply cycles the lamp On and Off. These type of beacons generally give a much lower light output as it takes longer for the lamp to fully illuminate itself. These units are available with a

filament lamp. In terms of light coverage, this type of beacon is more efficient as it illuminates the whole surface of the beacon constantly through 360 degrees. The FFA Series also incorporates a Piezo Buzzer producing 85db @ 1 meter giving the user the peace of mind of two signals. Ideal for local signalling applications.

#### Features

- Continuously rated
- Easy to clean external lens
- Suitable for surface mounting
- Optional protective guard available - see accessory page
- 360° visibility
- Two signals in one unit
- IP65

#### Material

UV Stable Polycarbonate Lens  
UV Stable ABS Plastic Base



Code No:	Voltage:	Light Source:	Current:
FFA125-80	12v Dc ---	Ba15d x 21w	1.80 A
FFA125-81	24v Dc ---	Ba15d x 21w	0.90 A
FFA125-82	115v Ac ~	Ba15d x 15w	0.15 A
FFA125-83	230v Ac ~	Ba15d x 15w	0.08 A

Kg 0.25

50/60 Hz

°C -25+66

IP 65

FPM 60

dB 85

APPROVAL AND CONFORMITIES



ADD THE FOLLOWING LENS CODES TO THE PRODUCT CODE WHEN ORDERING

01 02 03 04 05

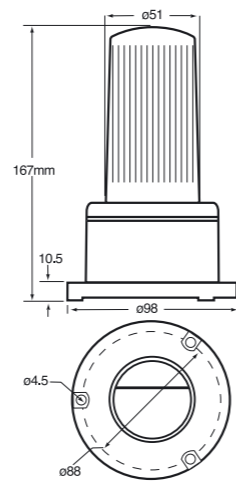
INDUSTRIAL





## Visual Signals FLASHING FILAMENT

### BEACONS



## Industrial Flashing Filament Beacons > FF125 DIN Base Series

### Product overview

The FF125 DIN Base series operates through an internal circuit which simply cycles the lamp On and Off. These type of beacons generally give a much lower light output as it takes longer for

the lamp to fully illuminate itself. These units are supplied with a filament lamp. In terms of light coverage, this type of beacon is more efficient as it illuminates the whole surface of the beacon constantly through 360 degrees. Ideal for local signalling applications.

### Features

- Easy to clean external lens
- Continuously rated
- Suitable for surface mounting
- Optional protective guard available - see accessory page
- 360° visibility
- Three-point fix external
- IP65

### Material

UV Stable Polycarbonate Lens  
UV Stable ABS Plastic Base



Code No:	Voltage:	Light Source:	Current:
FF125-90	12v Dc ---	Ba15d x 21w	1.75 A
FF125-91	24v Dc ---	Ba15d x 21w	0.88 A
FF125-92	115v Ac ~	Ba15d x 15w	0.13 A
FF125-93	230v Ac ~	Ba15d x 15w	0.07 A

Kg 0.25

50/60 Hz

°C -25+66

IP 65

FPM 60

INDUSTRIAL

APPROVAL AND CONFORMITIES



ADD THE FOLLOWING LENS CODES TO THE PRODUCT CODE WHEN ORDERING

01 02 03 04 05



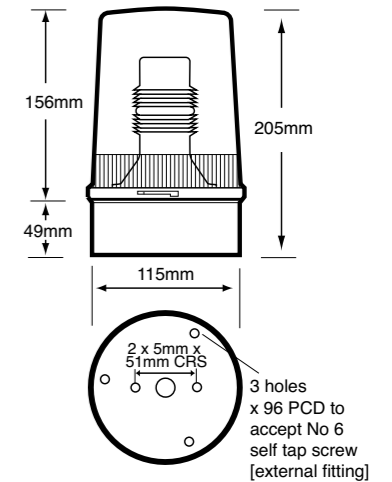
FF201-84/85 - FF200-86/87



FF201-88/89

## Visual Signals FLASHING FILAMENT

### BEACONS



## Industrial Flashing Filament Beacons > FF201/200 Series

### Product overview

The FF201/200 Series operates through an internal circuit which simply cycles the lamp On and Off. These type of beacons generally give a much lower light output as it takes longer for the lamp to fully illuminate itself. These units are available with

either a filament or tungsten halogen lamp. The light output can be improved by the use of a Dioptic (Fresnel) or Reeded lens which is placed over the lamp capturing the light emitted, magnifying and directing it to increase the brightness of the visual signal. In terms of light coverage, this type of beacon is more efficient as it illuminates the whole surface of the beacon constantly through 360 degrees.

### Features

- Easy to clean external lens
- Suitable for use with conduit BESA box
- Continuously rated
- Suitable for surface or wall mounting
- Optional wall bracket & protective guard available - see accessory page
- 360° visibility
- IP65

### Material

UV Stable Polycarbonate Lens  
UV Stable ABS Plastic Base



Code No:	Voltage:	Light Source:	Current:
FF201-84	12v Dc ---	Ba15d x 21w	1.75 A
FF201-85	24v Dc ---	Ba15d x 21w	0.88 A
FF201-88	12v Dc ---	H1 x 55w	4.70 A
FF201-89	24v Dc ---	H1 x 70w	3.00 A
FF200-86	115v Ac ~	Ba15d x 15w	0.13 A
FF200-87	230v Ac ~	Ba15d x 15w	0.07 A

Kg 0.70

50/60 Hz

°C -25+66

IP 65

FPM 60

INDUSTRIAL

APPROVAL AND CONFORMITIES



ADD THE FOLLOWING LENS CODES TO THE PRODUCT CODE WHEN ORDERING

01 02 03 04 05

# Visual Signals FLASHING FILAMENT

## BEACONS

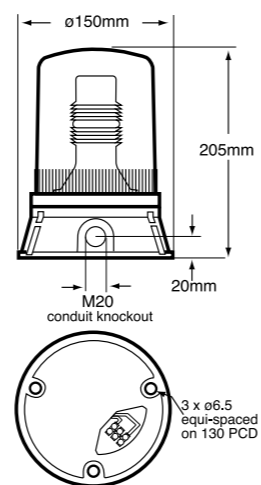


### Industrial Flashing Filament Beacons > FF401/400 Series

#### Product overview

The FF401/400 Series operates through an internal circuit which simply cycles the lamp On and Off. These type of beacons generally give a much lower light output as it takes longer for the lamp to fully illuminate itself. These units are available with either a filament or tungsten halogen lamp. The light

output can be improved by the use of a Dioptic (Fresnel) or Reeded lens which is placed over the lamp capturing the light emitted, magnifying and directing it to increase the brightness of the visual signal. In terms of light coverage, this type of beacon is more efficient as it illuminates the whole surface of the beacon constantly through 360 degrees. The 400/401 Series has a choice of side or bottom cable entries.



#### Features

- Easy to clean external lens
- Continuously rated
- Suitable for surface or wall mounting
- Optional wall bracket and protective guard available - see accessory page
- 360° visibility
- M20 side entry or bottom cable entry
- IP65

#### Material

UV Stable Polycarbonate Lens  
UV Stable ABS Plastic Base



Code No:	Voltage:	Light Source:	Current:
FF401-84	12v Dc ---	Ba15d x 21w	1.75 A
FF401-85	24v Dc ---	Ba15d x 21w	0.88 A
FF401-88	12v Dc ---	H1 x 55w	4.70 A
FF401-89	24v Dc ---	H1 x 70w	3.00 A
FF400-86	115v Ac ~	E14 x 60w	0.55 A
FF400-87	230v Ac ~	E14 x 60w	0.29 A

# Visual Signals LIGHT EMITTING DIODE

## BEACONS

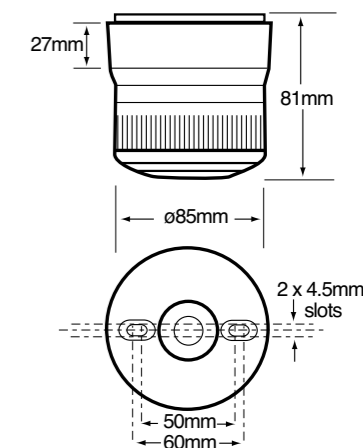


### Industrial LED Flashing Beacons > LED02/03 Series

#### Product overview

The LED02/03 Series incorporates eight bright single colour LEDs. These beacons offer long life, low current consumption and

are virtually maintenance free. Supplied complete with terminal block, seal, grommet and 27mm mounting box to suit all mounting installations. Suitable for fire, security and industrial applications.



#### Features

- Long Life
- Continuously rated
- Suitable for surface or wall mounting
- Suitable for conduit BESA box mounting
- 360° visibility
- IP65
- IP67 adaptor kit available – part 50155 for Dc / part 50156 for Ac

#### Material

UV Stable Polycarbonate Lens  
UV Stable ABS Plastic Base



Code No:	Voltage:	Light Source:	Current:
LED-02	11-35v Dc ---	LED Array	0.50 A
LED-03	230v Ac ~	LED Array	0.25 A

Kg 0.80

50/60 Hz

°C -25+66

IP 65

FPM 60

INDUSTRIAL

Kg 0.14

50/60 Hz

°C -20+40

IP 65

FPM 60

INDUSTRIAL

APPROVAL AND CONFORMITIES

ADD THE FOLLOWING LENS CODES TO THE PRODUCT CODE WHEN ORDERING

01 02 03 04 05

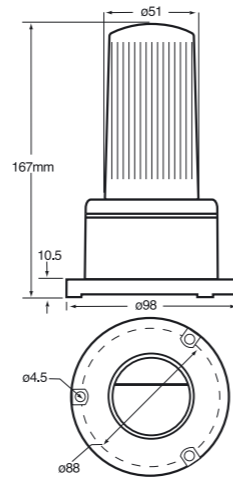
APPROVAL AND CONFORMITIES

ADD THE FOLLOWING LENS CODES TO THE PRODUCT CODE WHEN ORDERING

01 02 04

FIRE

# Visual Signals LIGHT EMITTING DIODE BEACONS



## Industrial LED Flashing | Static | Audible Beacons > LEDA125 Series

### Product overview

The LEDA125 Series incorporates 48, ultra bright single colour LEDs. These beacons offer long life, low current consumption and are virtually maintenance free. Suitable for fire,

security and industrial applications. The LEDA125 offers both static or flashing options by use of a jumper switch. The LEDA series also gives an additional acoustic signal which is ideal for close proximity warning – producing 85dB.

### Features

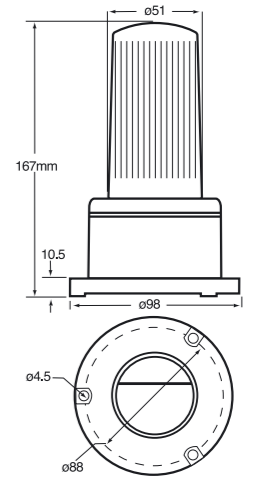
- Long life
- Continuously rated
- Suitable for surface mounting
- 85dB piezo buzzer
- Optional protective guard available - see accessory page
- Two signals in one product
- 360° visibility
- IP65

### Material

- UV Stable Polycarbonate Lens
- UV Stable ABS Plastic Base



# Visual Signals LIGHT EMITTING DIODE BEACONS



## Industrial LED Flashing | Static Beacons > LEDD125 Series

### Product overview

The LEDD125 Series incorporates 48, ultra bright single colour LEDs. These beacons offer long life, low current consumption and are

virtually maintenance free. Suitable for fire, security and industrial applications. The LEDD125 offers both static or flashing options by use of a jumper switch. The LEDD series offers the installer the use of a three point Din mount.

### Features

- Long life
- Continuously rated
- Suitable for surface mounting
- Optional protective guard available - see accessory page
- 360° visibility
- IP65

### Material

- UV Stable Polycarbonate Lens
- UV Stable ABS Plastic Base



Code No:	Voltage:	Light Source:	Current:		
			01	02	04
LEDA125-02	24v Dc ---	LED Array	450mA	250mA	250mA
LEDA125-03	115v Ac ~	LED Array	450mA	250mA	250mA
LEDA125-04	230v Ac ~	LED Array	450mA	250mA	250mA

Code No:	Voltage:	Light Source:	Current:		
			01	02	04
LEDD125-02	24v Dc ---	Led Array	450mA	250mA	250mA
LEDD125-03	115v Ac ~	Led Array	450mA	250mA	250mA
LEDD125-04	230v Ac ~	Led Array	450mA	250mA	250mA

Kg 0.28

50/60 Hz

°C -20+45

IP 65

FPM 60

dB 85

APPROVAL AND CONFORMITIES



ADD THE FOLLOWING LENS CODES TO THE PRODUCT CODE WHEN ORDERING

01 02 04

INDUSTRIAL

Kg 0.27

50/60 Hz

°C -20+45

IP 65

FPM 60

INDUSTRIAL

APPROVAL AND CONFORMITIES

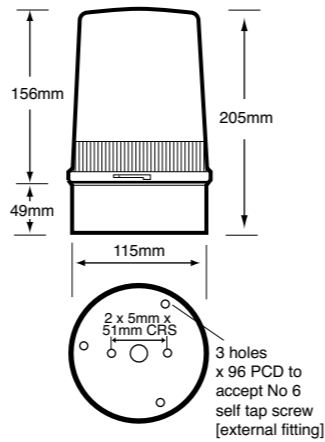


ADD THE FOLLOWING LENS CODES TO THE PRODUCT CODE WHEN ORDERING

01 02 04



# Visual Signals LIGHT EMITTING DIODE BEACONS



## Industrial LED Flashing | Rotating | Static Beacons > LED201/200 Series

### Product overview

The LED201/200 Series incorporates 144, ultra bright single colour LEDs. These beacons offer long life, low current consumption and are

virtually maintenance free. Suitable for fire, security and industrial applications. The LED201/200 offers static, flashing or rotating options by use of a jumper switch.

#### Features

- Long Life
- Continuously rated
- Suitable for surface or wall mounting
- Optional wall bracket & protective guard available - see accessory page
- Suitable for conduit BESA box mounting
- 360° visibility
- IP65

#### Material

UV Stable Polycarbonate Lens  
UV Stable ABS Plastic Base



Code No:	Voltage:	Light Source:	Current:		
			Flashing	Rotating	Static
LED201-02	24v Dc ---	LED Array	0.05	0.10*	0.50 A
LED200-04*	115/230v Ac ~	LED Array	0.07	0.03*	0.07 A

\*Preset to 230v AC ~

\*2 Bar Rotating

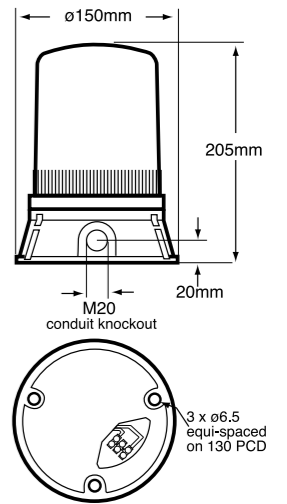
Kg 1.0Ac 0.6Dc
50/60 Hz
°C -20+45
IP 65
FPM 60
RPM 120



ADD THE FOLLOWING LENS CODES TO THE PRODUCT CODE WHEN ORDERING **01** **02**



# Visual Signals LIGHT EMITTING DIODE BEACONS



## Industrial LED Flashing | Rotating | Static Beacons > LED401/400 Series

### Product overview

The LED401/400 Series incorporates 144, ultra bright single colour LEDs. These beacons offer long life, low current consumption and are

virtually maintenance free. Suitable for fire, security and industrial applications. The LED401/400 offers static, flashing or rotating options by use of a jumper switch.

#### Features

- Long Life
- Continuously rated
- Suitable for surface or wall mounting
- Optional wall bracket & protective guard available - see accessory page
- Three-point DIN fixing
- 360° visibility
- IP65

#### Material

UV Stable Polycarbonate Lens  
UV Stable ABS Plastic Base



Code No:	Voltage:	Light Source:	Current:		
			Flashing	Rotating	Static
LED401-02	24v Dc ---	LED Array	0.05	0.10*	0.50 A
LED400-04*	115/230v Ac ~	LED Array	0.07	0.03*	0.07 A

\*Preset to 230v AC ~

\*2 Bar Rotating

Kg 1.0Ac 0.6Dc
50/60 Hz
°C -20+45
IP 65
FPM 60
RPM 120



ADD THE FOLLOWING LENS CODES TO THE PRODUCT CODE WHEN ORDERING **01** **02**



# Audible Signals LIGHT EMITTING DIODE BEACONS

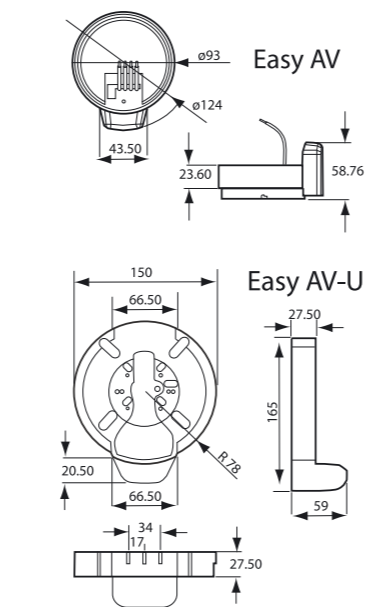


## LED Audio Visual Upgrade Solution > LED EASY AV | LED EASY AV-U

### Product overview

The Disability Discrimination Act 1995 makes it mandatory to provide not only an audible fire evacuation alarm in public buildings but also an alternative warning method to cater for those with impaired hearing. Easy AV is a convenient, quick retro-fit

beacon which converts existing sounders and bells into EN54/3 compliant sounders/strobes - saving time, hassle and cost of fitting a completely new product in accordance with EN54/3. The Easy AV and Easy AV-U are compatible with most leading European manufacturers.



### Features

- Cost effective
- Quick installation
- No cabling
- Suitable for DDA applications
- Fully synchronised
- Ultra low current consumption
- No switch on surge current
- Environmentally friendly

### Material

VO Rated Polycarbonate



Code No:	Voltage:	Light Source:	Current:
LED EASY-AV Sounder option	9-32v Dc ---	LED output	3-6mA 10mA peak
LED EASY-AVU Bell option	9-32v Dc ---	LED output	3-6mA 10mA peak

**A** 3-6mA 10mA Peak

**V** 9-32v DC

**°C** -25+70

**IP** 43-65  
DEPENDENT ON SOUNDER OR BELL

**FIRE**

APPROVAL AND CONFORMITIES



ADD THE FOLLOWING LENS CODES TO THE PRODUCT CODE WHEN ORDERING

**02**



SPECTRUM SERIES  
TRI-COLOUR LED



## Audible + Visual > Tri-Colour LED PLC Controllable Beacon

### Product overview

The Spectrum 600 Series utilises ultra-bright, tri-colour LEDs in one enclosure producing amber, green and red light in conjunction with two synchronised piezo sounders. The beacon is a cost-effective alternative to traditional stacking beacons and other process indication applications where multiple signal outputs, long life and low power consumption are

required. The Spectrum 600 comes totally assembled and ready for immediate installation. In addition, the enclosure incorporates a high Ingress Protection (IP) rating and is manufactured from a tough, UV stable polycarbonate plastic that makes the beacon suitable for harsh industrial and marine environments. The Spectrum 600 requires external input signals for it to function. If no PLC (or similar) is available, then the Spectrum Interface Unit gives the end user a control option.

Code No:	Voltage:	Light Source:	Current:	
			Amber	Red/Green
LEDA600-01	24v Dc/230v Ac ---	Tri-Colour LED	450 mA	265 mA
LEDA600-03	24v Dc/115v Ac ---	Tri-Colour LED	450mA	265 mA
50165 Interface	230v Ac			
50166 Mounting Pole				
50004 Right-angled Wall Bracket				

<b>Kg 0.85</b>	<b>°C -35+55</b>	<b>IP 65 66 67 69K</b>	<b>FPM 60x90</b>
<b>50/60 Hz</b>	<b>dB 90</b>	<b>MARINE</b>	<b>INDUSTRIAL</b>



### Features

Three colours in one housing – **amber red green**

360° visibility

LED long life and low power

Combined beacon & piezo sounders

28 signal options

PLC controllable

Optional interface unit for non PLC operation – 7 preset signals

Ethernet compatible

Tough, UV stable polycarbonate housing

### Material

UV Stable Polycarbonate Plastic



## The Control Signal

The Control Signal must consist of a 5-bit word, which has to be assembled and transmitted in parallel mode to the Spectrum Beacon. The colour, flash frequency

and sound are independent of one another but a colour signal is necessary for the control word to be accepted, thus any word beginning with 00 will not be accepted.

## 50165 Interface Unit (Optional)

for further information download Interface Data Sheet from the website

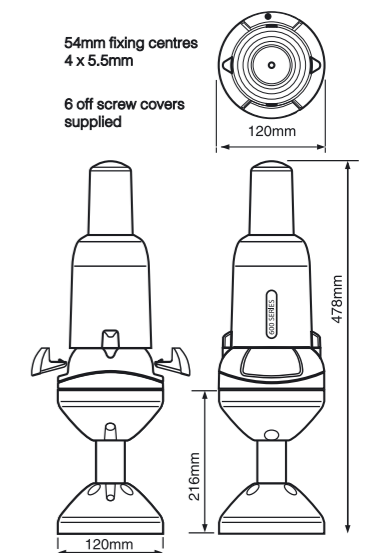
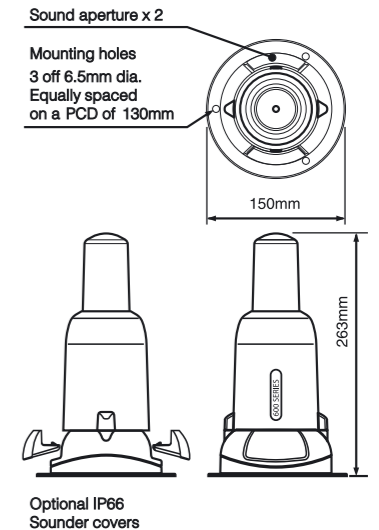
The Interface Unit contains seven electrically isolated prioritised channels. Each channel accepts 24-230v Ac or 12-48v Dc input. A pre-selected audio and/or visual signal is supplied for each of the seven channels. In the event of no signal being applied, the beacon displays continuous green. The operating voltage for the unit is 230v Ac. The design allows for a 12v Dc auxiliary

power supply for use in volt free applications. Additionally, the unit incorporates a battery (not supplied) back-up sufficient to maintain the unit for 12 hours in case of mains power failure. Provision is made for mains failure to be signalled from the interface unit (device not supplied). The unit is supplied complete with mounting plate and cover. This can be installed either inside an existing enclosure or into a standard weatherproof 'Fibox' IP67 mounting box [ref. MNX PCM200/63 G].

## Technical Specification

<b>Type</b>	LEDA600-01 24v Dc or 230v Ac LEDA600-03 24v Dc or 115v Ac
<b>Light Source</b>	Ultra-bright Tri-colour LEDs Amber 3.9 Effective Candela (390 mcd) 450mA Green 6.2 Effective Candela (620 mcd) 265mA Red 4.4 Effective Candela (440 mcd) 265mA
<b>Signal Options</b>	Continuous ON Slow Flash 60 fpm Rapid Flash 1 90 fpm (0.11sec ON, 0.23 OFF) Rapid Flash 2 90 fpm (0.23sec ON, 0.11 OFF)
<b>Sounder Type</b>	Electronic Piezo Sounders x 2 : 20mA db@1m 90dB ±3dB (horn covers not installed) Frequency 3.1Hz ±500Hz Visual and audible signalling options can be combined – audible signal synchronised with beacon flash
<b>Operating Temp</b>	-35°C to +55°C <b>Weight</b> 0.85 kg
<b>Enclosure Material</b>	UV Stable Polycarbonate Plastic
<b>Ingress Protection</b>	IP65 & IP67 as standard as one enclosure. IP66 with sounder covers fitted. Sounder covers can be fitted (snap-fixed) or permanently (adhered) into place. Sounder covers supplied as standard.
<b>Beacon Control</b>	The beacon is supplied with flying leads 2 x 1 metre 4 core power cables and 6 core signal cables. For further information download the Technical Data Sheet from our website.

## BEACONS

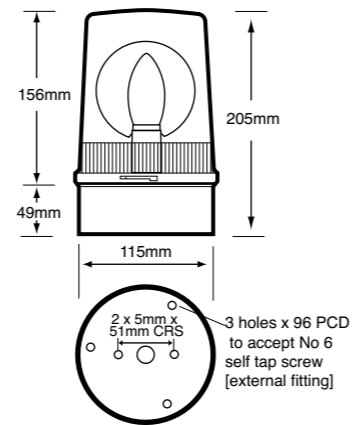


**Mounting Options**  
The beacon has three mounting options:

- Surface Mount Plate (3 point DIN fix) fitted as standard
- Side knockouts x 2 cabling in/out (15mm x 10mm)
- Foot and Pole Mount (50166)
- Right Angled Wall Bracket (50004)



## Visual Signals ROTATING BEACONS



### Features

- Continuously rated
- Suitable for use with conduit BESA box
- Suitable for surface or wall mounting
- Optional wall bracket & protective guard available – see accessory page
- Diode Polarised (DP) options available for fire alarm systems
- Magnetic base versions available
- Twin belt drive system
- IP65

### Material

- UV Stable Polycarbonate Lens
- UV Stable ABS Mounting Base



## Industrial Rotating Beacons > R201-200 Series

### Product overview

The R201/200 Series uses a parabolic reflector which, driven by an electric motor, revolves around a continuously illuminated lamp on the vertical axis of the

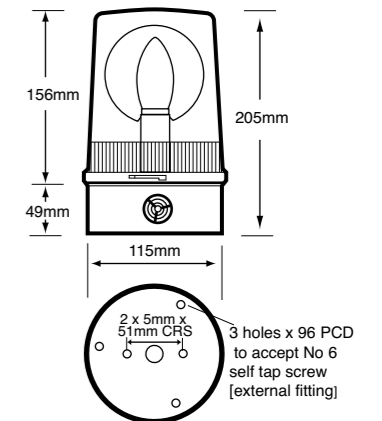
beacon creating a powerful beam of light travelling through 360 degrees. Generally, this type of beacon has a greater degree of light output than other models but this is off-set by the fact that the parabolic reflector only illuminates one given point at a time.

Code No:	Voltage:	Light Source:	Current:
R201-13	12v Dc ---	H1 x 55w	4.70 A
R201-14	24v Dc ---	H1 x 70w	3.00 A
R201-29	24v Dc ---	Ba15s x 10w	0.60 A
R201-60	12v Dc ---	Ba15d x 21w	1.85 A
R201-61	24v Dc ---	Ba15d x 21w	0.95 A
R201-62	12v Dc ---	Ba15d x 48w	4.00 A
R201-63	24v Dc ---	Ba15d x 48w	2.00 A
R201-64	48v Dc ---	Ba15d x 35w	0.55 A
R200-03	24v Ac ~	Ba15d x 48w	2.00 A
R200-02	48v Ac ~	Ba15d x 35w	0.55 A
R200-04	115v Ac ~	Ba15d x 60w	0.55 A
R200-05	230v Ac ~	Ba15d x 60w	0.29 A
R200-04-MB	115v Ac ~	Ba15d x 60w	0.55 A
R200-05-MB	230v Ac ~	Ba15d x 60w	0.29 A

• Diode polarised MB – Magnetic Base



## Visual Signals ROTATING BEACONS



### Features

- Continuously rated
- Suitable for use with conduit BESA box
- Suitable for surface or wall mounting
- Optional wall bracket & protective guard available – see accessory page
- Two signals in one unit
- Twin belt drive system
- IP65

### Material

- UV Stable Polycarbonate Lens
- UV Stable ABS Mounting Base



## Industrial Rotating Beacons > RA201-200 Series

### Product overview

The RA201/200 Series uses a parabolic reflector which, driven by an electric motor, revolves around a continuously illuminated lamp on the vertical axis of the beacon creating a powerful beam of light travelling

through 360 degrees. Generally, this type of beacon has a greater degree of light output than other models but this is off-set by the fact that the parabolic reflector only illuminates one given point at a time. The RA series also incorporates a Piezo Buzzer producing 85db, giving the user the peace of mind of two signals in one unit.

Code No:	Voltage:	Light Source:	Current:
RA201-20	12v Dc ---	H1 x 55w	4.70 A
RA201-21	24v Dc ---	H1 x 70w	3.00 A
RA201-64	48v Dc ---	Ba15d x 35w	0.55 A
RA200-03	24v Ac ~	Ba15d x 48w	2.00 A
RA200-02	48v Ac ~	Ba15d x 35w	0.55 A
RA200-24	115v Ac ~	Ba15d x 60w	0.55 A
RA200-25	230v Ac ~	Ba15d x 60w	0.29 A

Kg 0.83

50 Hz

°C -10+66

IP 65

RPM 160±30 DC

RPM 120 AC



ADD THE FOLLOWING LENS CODES TO THE PRODUCT CODE WHEN ORDERING



Kg 0.86

50 Hz

°C -10+66

IP 65

RPM 160±30 DC

RPM 120 AC

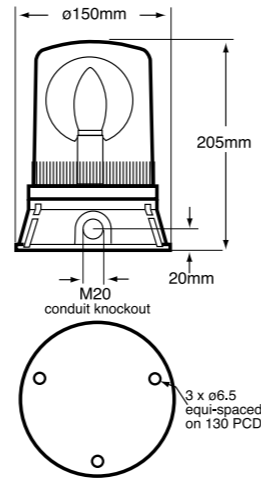


ADD THE FOLLOWING LENS CODES TO THE PRODUCT CODE WHEN ORDERING





## Visual Signals ROTATING BEACONS



### Industrial Rotating Beacons > R401-400 Series

#### Product overview

The R401/400 Din Base Series uses a parabolic reflector which, driven by an electric motor, revolves around a continuously illuminated lamp on the vertical axis of the beacon creating a powerful beam of light travelling through 360

degrees. Generally, this type of beacon has a greater degree of light output than other models but this is off-set by the fact that the parabolic reflector only illuminates one given point at a time. The 401/400 Series incorporates both bottom and side entry cabling and mounting is achieved via external three point fixing.

#### Features

- Continuously rated
- Suitable for surface or wall mounting
- Optional wall bracket & protective guard available – see accessory page
- Twin belt drive system
- Optional M20 side-entry conduit knockout
- IP65

#### Material

UV Stable Polycarbonate Lens  
UV Stable ABS Mounting Base



Code No:	Voltage:	Light Source:	Current:
R401-13	12v Dc ---	H1 x 55w	4.70 A
R401-14	24v Dc ---	H1 x 70w	3.00 A
R401-60	12v Dc ---	Ba15d x 21w	1.85 A
R401-61	24v Dc ---	Ba15d x 21w	0.95 A
R401-62	12v Dc ---	Ba15d x 48w	4.00 A
R401-63	24v Dc ---	Ba15d x 48w	2.00 A
R401-64	48v Dc ---	Ba15d x 25w	0.60 A
R400-03	24v Ac ~	Ba15d x 48w	2.00 A
R400-02	48v Ac ~	Ba15d x 25w	0.55 A
R400-04	115v Ac ~	E14 x 60w	0.55 A
R400-05	230v Ac ~	E14 x 60w	0.29 A

Kg 0.98

50 Hz

°C -10+66

IP 65

RPM 160±30 DC

RPM 120 AC

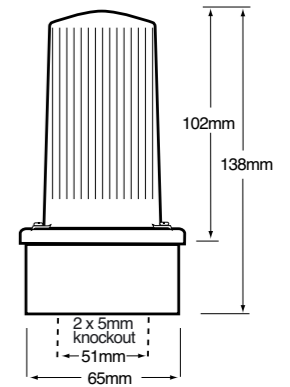
APPROVAL AND CONFORMITIES

ADD THE FOLLOWING LENS CODES TO THE PRODUCT CODE WHEN ORDERING **01 02 03 04 05**

INDUSTRIAL



## Visual Signals STATIC FILAMENT BEACONS



### Industrial Static Filament Beacons > SF125 Series

#### Product overview

The SF125 Series is identical to Flashing Filament beacons with the exception that they do not operate through an On and Off cycle. When the unit is energised, the light source stays permanently 'On' - often referred to as

steady mode. The main advantage of this type of beacon is that the light can be controlled by a separate source, i.e. a control panel, giving the unit more flexibility. These units are supplied with a filament lamp. The light output is increased by the use of a reeded lens. Ideal for local signalling applications.

#### Features

- Continuously rated
- Suitable for surface or wall mounting
- Suitable for use with conduit BESA box
- Optional wall bracket & protective guard available - see accessory page
- Ideal for local signalling applications
- 360° visibility
- IP65

#### Material

UV Stable Polycarbonate Lens  
UV Stable ABS Plastic Base



Code No:	Voltage:	Light Source:	Current:
SF125-80	12v Ac/Dc ~	Ba15d x 21w	1.75 A
SF125-81	24v Ac/Dc ~	Ba15d x 21w	0.88 A
SF125-82	115v Ac ~	Ba15d x 15w	0.13 A
SF125-83	230v Ac ~	Ba15d x 15w	0.07 A

Kg 0.17

50/60 Hz

°C -35+66

IP 65

INDUSTRIAL

APPROVAL AND CONFORMITIES

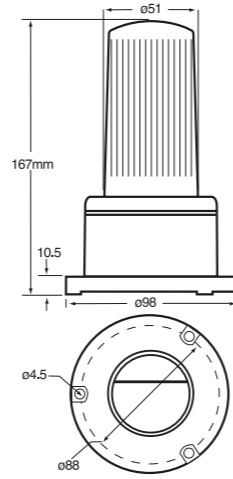
ADD THE FOLLOWING LENS CODES TO THE PRODUCT CODE WHEN ORDERING **01 02 03 04 05**



# Visual Signals STATIC FILAMENT



## BEACONS



### Industrial Static Filament Beacons > SFA125 Series

#### Product overview

The SFA125 Series is identical to Flashing Filament beacons with the exception that they do not operate through an On and Off cycle. When the unit is energised, the light source stays permanently 'On' - often referred to as steady mode. The main advantage of this type of beacon is that the light can be

controlled by a separate source, i.e. a control panel, giving the unit more flexibility. These units are supplied with a filament lamp. The major difference with the SFA series is that the unit incorporates a Piezo Buzzer, thus giving two signals in one - this is also a benefit should there be a lamp failure. The Din Base series offers the installer the option of a three point fix using external fixing points. Ideal for local signalling applications.

#### Features

- Continuously rated
- Suitable for surface mounting
- Optional protective guard available - see accessory page
- Two signals in one unit
- Ideal for local signalling applications
- 360° visibility
- IP65

#### Material

UV Stable Polycarbonate Lens  
UV Stable ABS Plastic Base

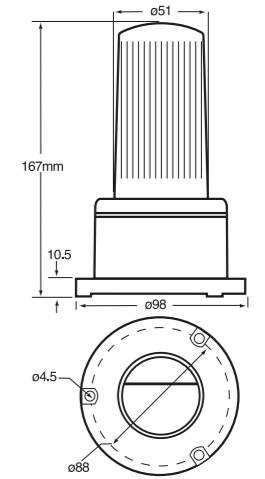


Code No:	Voltage:	Light Source:	Current:
SFA125-80	12v Dc ---	Ba15d x 21w	1.80 A
SFA125-81	24v Dc ---	Ba15d x 21w	0.90 A
SFA125-82	115v Ac ~	Ba15d x 15w	0.15 A
SFA125-83	230v Ac ~	Ba15d x 15w	0.08 A

# Visual Signals STATIC FILAMENT



## BEACONS



### Industrial Static Filament Beacons > SF125 DIN Base Series

#### Product overview

These units are identical to Flashing Filament beacons with the exception that they do not operate through an On and Off cycle. When the unit is energised, the light source stays permanently 'On' - often referred to as steady mode. The main advantage of this type of beacon

is that the light can be controlled by a separate source, i.e. a control panel, giving the unit more flexibility. These units are supplied with either a filament lamp. The Din Base series offers the installer the option of a three point fix using external fixing points. Ideal for local signalling applications.

#### Features

- Continuously rated
- Suitable for surface mounting
- Optional protective guard available - see accessory page
- Ideal for local signalling applications
- 360° visibility
- IP65

#### Material

UV Stable Polycarbonate Lens  
UV Stable ABS Plastic Base



Code No:	Voltage:	Light Source:	Current:
SF125-90	12v Dc ---	Ba15d x 21w	1.75 A
SF125-91	24v Dc ---	Ba15d x 21w	0.88 A
SF125-92	115v Ac ~	Ba15d x 15w	0.13 A
SF125-93	230v Ac ~	Ba15d x 15w	0.07 A

Kg 0.25

50/60 Hz

°C -25+66

IP 65

dB 85

INDUSTRIAL

Kg 0.22

50/60 Hz

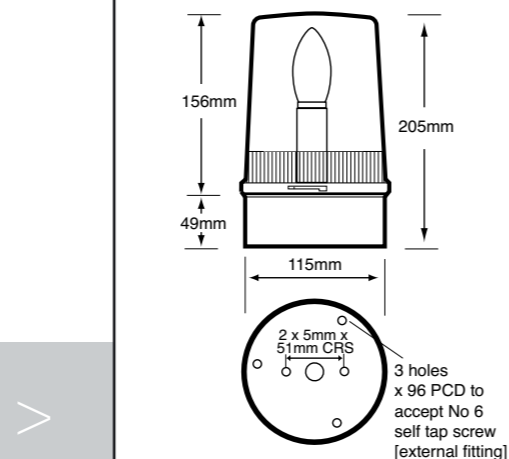
°C -35+66

IP 65

INDUSTRIAL

# Visual Signals STATIC FILAMENT

## BEACONS



# Industrial Static Filament Beacons > SF201/200 Series

## Product overview

The SF201-200 Series is identical to Flashing Filament beacons with the exception that they do not operate through an On and Off cycle. When the unit is energised, the light source stays permanently 'On' - often referred to as steady mode. The main advantage of this type of beacon is that the light can be

controlled by a separate source, i.e. a control panel, giving the unit more flexibility. These units are available with either a filament or tungsten halogen lamp. The 201/200 Series uses a smooth outer lens. Low wattage models incorporate a Dioptic Fresnel internal lens to increase the light output. The use of the smooth outer lens makes cleaning of the unit easy and less likely to become ineffective due to a build-up of dirt.

### Features

- Continuously rated
- Suitable for surface or wall mounting
- Suitable for use with conduit BESA box
- Low current consumption models available
- Optional wall bracket & protective guard available - see accessory page
- 360° visibility
- IP65

### Material

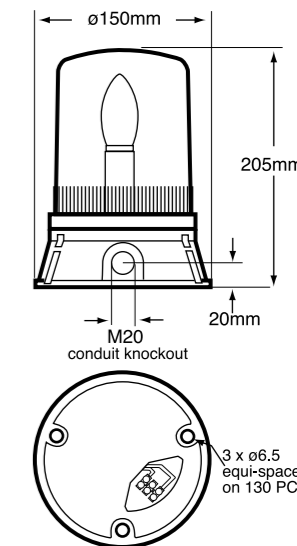
UV Stable Polycarbonate Lens  
UV Stable ABS Plastic Base



Code No:	Voltage:	Light Source:	Current:
SF201-26	12v Ac/Dc ~	Ba15d x 5w	0.42 A
SF201-27	24v Ac/Dc ~	Ba15d x 5w	0.21 A
SF201-28	12v Ac/Dc ~	Ba15d x 10w	0.84 A
SF201-29	24v Ac/Dc ~	Ba15d x 10w	0.42 A
SF201-62	12v Ac/Dc ~	H1 x 55w	4.60 A
SF201-63	24v Ac/Dc ~	H1 x 70w	2.90 A
SF201-05	12v Ac/Dc ~	Ba15d x 48w	4.00 A
SF201-06	24v Ac/Dc ~	Ba15d x 48w	2.00 A
SF201-07	48v Dc ---	Ba15d x 35w	0.65 A
SF200-08	115v Ac ~	Ba15d x 60w	0.55 A
SF200-09	230v Ac ~	Ba15d x 60w	0.29 A
FL200-09	230v Ac ~	Compact Fluorescent	

# Visual Signals STATIC FILAMENT

## BEACONS



# Industrial Static Filament Beacons > SF401/400 DIN Base Series

## Product overview

The SF401/400 DIN Base Series is identical to Flashing Filament beacons with the exception that they do not operate through an On and Off cycle. When the unit is energised, the light source stays permanently 'On' - often referred to as steady mode. The main advantage of this type of beacon

is that the light can be controlled by a separate source, i.e. a control panel, giving the unit more flexibility. These units are available with either a filament or tungsten halogen lamp. The use of the smooth outer lens makes cleaning of the unit easy and less likely to become ineffective due to a build-up of dirt. The Din Base series offers the installer the option of a three point fix using external fixing points.

### Features

- Continuously rated
- Suitable for surface mounting
- Optional protective guard available - see accessory page
- 360° visibility
- IP65

### Material

UV Stable Polycarbonate Lens  
UV Stable ABS Plastic Base



Code No:	Voltage:	Light Source:	Current:
SF401-62	12v Ac/Dc ~	H1 x 55w	4.60 A
SF401-63	24v Ac/Dc ~	H1 x 70w	2.90 A
SF401-05	12v Ac/Dc ~	Ba15s x 48w	4.00 A
SF401-06	24v Ac/Dc ~	Ba15s x 48w	2.00 A
SF401-07	48v Dc ---	Ba15d x 35w	0.65 A
SF400-08	115v Ac ~	E14 x 60w	0.55 A
SF400-09	230v Ac ~	E14 x 60w	0.29 A

Kg 0.76

50/60 Hz

°C -35+66

IP 65

INDUSTRIAL

APPROVAL AND CONFORMITIES

ADD THE FOLLOWING LENS CODES TO THE PRODUCT CODE WHEN ORDERING

01 02 03 04 05

Kg 0.71

50/60 Hz

°C -35+66

IP 65

INDUSTRIAL

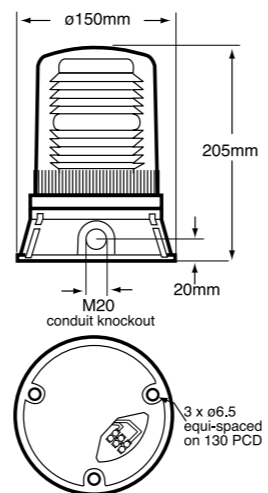
APPROVAL AND CONFORMITIES

ADD THE FOLLOWING LENS CODES TO THE PRODUCT CODE WHEN ORDERING

01 02 03 04 05



## Visual Signals XENON BEACONS



### Xenon Beacons > X501-500 Series

#### Product overview

The X501/500 Extra High Output Series utilises a discharge capacitor and converter circuit to ignite xenon gas inside a tube, resulting in a brilliant flash of light. Xenon gas ignites virtually instantaneously so maximum brightness is obtained immediately. Xenons have an added advantage of low current consumption combined with a reasonable life span. The X501/500 Series provides a 360-degree light output and has a Single Flash or Double Flash option. The Double

Flash option extends the signal duration making it more noticeable to the human eye. The Extra High Output capability of this series makes it suitable for the more demanding of visual applications. Brightness is increased by the use of a Dioptric (Fresnel) lens which magnifies the light output. This series also incorporates both bottom and side entry cabling access and mounting is achieved via external three point fixing. Xenon beacons are one of the most efficient, effective and brightest visual signals available.

#### Features

- Extra high output
- Continuously rated
- Suitable for surface or wall mounting
- Optional wall bracket & protective guard available - see accessory page
- 360° visibility
- Double flash option
- M20 side or bottom cable entry
- Suitable for local signalling applications
- IP65

#### Material

UV Stable Polycarbonate Lens  
UV Stable ABS Plastic Base



Code No:	Voltage:	Light Source:	Current:
X501-18 <sup>•</sup>	12/24v Dc ---	Xenon 24J/18J	2.30/1.30 A
X500-21	115v Ac ~	Xenon 24J/18J	0.65 A
X500-22	230v Ac ~	Xenon 24J/18J	0.40 A

<sup>•</sup>Pre-set at 24v Dc ---

Kg 1.25

50/60 Hz

°C -25+35

IP 65

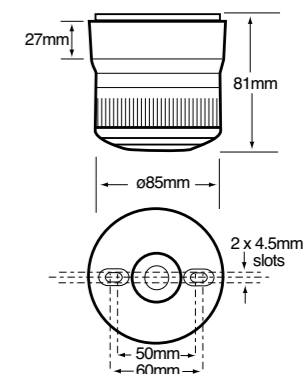
FPM 60x90

APPROVAL AND CONFORMITIES

ADD THE FOLLOWING LENS CODES TO THE PRODUCT CODE WHEN ORDERING **01** **02**



## Visual Signals XENON BEACONS



### Xenon Beacons > X100 Series

#### Product overview

The X100 Series utilises a discharge capacitor and converter circuit to ignite xenon gas inside a tube, resulting in a brilliant flash of light. Xenon gas ignites virtually instantaneously so maximum brightness is obtained immediately. Xenons

have an added advantage of low current consumption combined with a reasonable life span. Xenon beacons are one of the most efficient, effective and brightest visual signals available. The X100 series also offers an anti-vandal locking system in the base. Suitable for local signalling applications.

#### Features

- Continuously rated
- Suitable for use with conduit BESA box
- Suitable for surface or wall mounting
- 360° visibility
- IP65
- Optional IP67 conversion kit available
- Suitable for local signalling applications

#### Material

UV Stable Polycarbonate Lens  
UV Stable ABS Plastic Base



Code No:	Voltage:	Light Source:	Current:
X100-02	12/24v Dc ---	Xenon 0.30J	60/45 mA
X100-04	230v Ac ~	Xenon 1J	15 mA

Kg 0.14

50/60 Hz

°C -20+40

IP 65

FPM 60

FIRE

APPROVAL AND CONFORMITIES

ADD THE FOLLOWING LENS CODES TO THE PRODUCT CODE WHEN ORDERING **01** **02**

MARINE

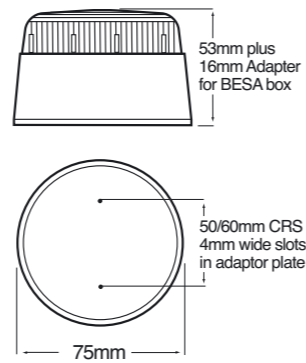


## Visual Signals XENON BEACONS

### Xenon Beacons > X75 Series Product overview

The X75 Series utilises a discharge capacitor and converter circuit to ignite xenon gas inside a tube, resulting in a brilliant flash of light. Xenon gas ignites virtually instantaneously so

maximum brightness is obtained immediately. Xenons have an added advantage of low current consumption and are one of the most efficient, effective and brightest visual signals available. An economy beacon suitable for local signalling applications.



#### Features

- Continuously rated
- Suitable for wall mounting only
- Suitable for use with conduit BESA box - adaptor supplied
- IP65

#### Material

UV Stable Polycarbonate Lens  
ABS Plastic Base



Code No:	Voltage:	Light Source:	Current:
X75-24	24v Dc ---	Xenon 0.30J	40 mA
X75-115	115v Ac ~	Xenon 1.0J	35 mA
X75-230	230v Ac ~	Xenon 1.0J	20 mA

Kg 0.13

50/60 Hz

°C -20+40

IP 65

FPM 60

FIRE

APPROVAL AND CONFORMITIES



ADD THE FOLLOWING LENS CODES TO THE PRODUCT CODE WHEN ORDERING

01 02 03 04 05

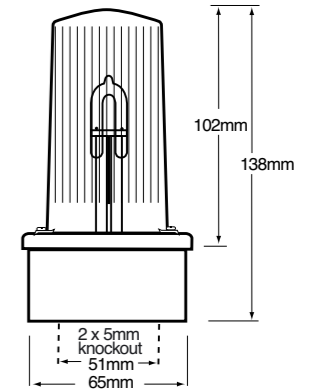


## Visual Signals XENON BEACONS

### Industrial Xenon Beacons > X125 Series Product overview

The X125 Series utilises a discharge capacitor and converter circuit to ignite xenon gas inside a tube, resulting in a brilliant flash of light. Xenon gas ignites virtually instantaneously so maximum brightness is

obtained immediately. Xenons have an added advantage of low current consumption combined with a reasonable life span. The design of the X125 series ensures a 360-degree light output. Xenon beacons are one of the most efficient, effective and brightest visual signals available.



#### Features

- Continuously rated
- Suitable for use with conduit BESA box
- Suitable for surface or wall mounting
- Optional wall bracket & protective guard available - see accessory page
- 360° visibility
- IP65

#### Material

UV Stable Polycarbonate Lens  
UV Stable ABS Plastic Base



Code No:	Voltage:	Light Source:	Current:
X125-Ac/Dc	10-100v Dc --- 20-72v Ac ~	Xenon 2.0J	130 mA •
X125-55	115v Ac ~	Xenon 2.3J	30 mA
X125-56	230v Ac ~	Xenon 2.7J	21 mA

•at 24v Dc ---

Kg 0.17

50/60 Hz

°C -25+66

IP 65

FPM 60

INDUSTRIAL

APPROVAL AND CONFORMITIES



ADD THE FOLLOWING LENS CODES TO THE PRODUCT CODE WHEN ORDERING

01 02 03 04 05

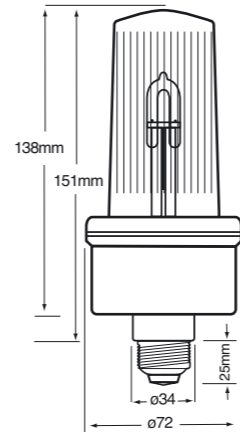


## Visual Signals XENON BEACONS

### Industrial Xenon Beacons > X125ES Series Product overview

The X125ES Series utilises a discharge capacitor and converter circuit to ignite xenon gas inside a tube, resulting in a brilliant flash of light. Xenon gas ignites virtually instantaneously so maximum brightness is

obtained immediately. Xenons have an added advantage of low current consumption combined with a reasonable life span. The design of the X125ES series ensures a 360-degree light output. The ES Series is ideal for temporary installation due to the ES27 screw base. Xenon beacons are one of the most efficient, effective and brightest visual signals available.



#### Features

- Continuously rated
- 360° visibility
- Simple and quick installation
- IP65

#### Material

UV Stable Polycarbonate Lens  
UV Stable ABS Plastic Base



Code No:	Voltage:	Light Source:	Current:
X125ES-51	115v Ac ~	Xenon 2.3J	30 mA
X125ES-52	230v Ac ~	Xenon 2.7J	21 mA

Kg 0.20

50/60 Hz

°C -25+66

IP 65

FPM 60

INDUSTRIAL

APPROVAL AND CONFORMITIES



ADD THE FOLLOWING LENS CODES TO THE PRODUCT CODE WHEN ORDERING

01 02 03 04 05

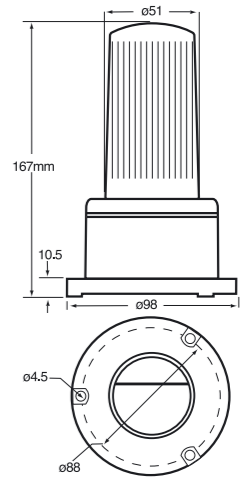


## Visual Signals XENON BEACONS

### Industrial Xenon Beacons > X125 DIN Base Series Product overview

The X125 Din Base Series utilises a discharge capacitor and converter circuit to ignite xenon gas inside a tube, resulting in a brilliant flash of light. Xenon gas ignites virtually instantaneously so maximum brightness is obtained

immediately. Xenons have an added advantage of low current consumption combined with a reasonable life span. The design of the X125 Din Base Series ensures a 360-degree light output. Xenon beacons are one of the most efficient, effective and brightest visual signals available.



#### Features

- Continuously rated
- Suitable for surface mounting
- Optional protective guard available - see accessory page
- 360° visibility
- Three-point fix external
- IP65

#### Material

UV Stable Polycarbonate Lens  
UV Stable ABS Plastic Base



Code No:	Voltage:	Light Source:	Current:
X125-64	10-100v Dc --- 20-72v Ac ~	Xenon 2.0J	130 mA <sup>•</sup>
X125-62	115v Ac ~	Xenon 2.3J	30 mA
X125-63	230v Ac ~	Xenon 2.7J	21 mA

<sup>•</sup>at 24v Dc ---

Kg 0.25

50/60 Hz

°C -25+66

IP 65

FPM 60

INDUSTRIAL

APPROVAL AND CONFORMITIES



ADD THE FOLLOWING LENS CODES TO THE PRODUCT CODE WHEN ORDERING

01 02 03 04 05

# Visual Signals XENON BEACONS

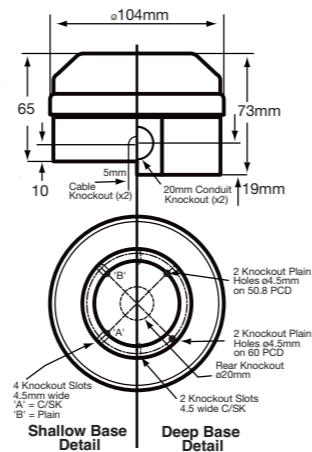


## Industrial Xenon Beacons > X195 Series

### Product overview

The X195 Series utilises a discharge capacitor and converter circuit to ignite xenon gas inside a tube, resulting in a brilliant flash of light. Xenon gas ignites virtually instantaneously so maximum brightness is obtained immediately. Xenons

have an added advantage of low current consumption combined with a reasonable life span. Xenon beacons are one of the most efficient, effective and brightest visual signals available. The X195 series offers shallow base and deep base options - the deep base version having side entry as well as bottom entry. Synchronized version available.



### Features

- Continuously rated
- Suitable for surface or wall mounting
- Suitable for use with conduit BESA box
- M20 side entry [deep base only] or bottom cable entry
- IP65

### Material

UV Stable Polycarbonate Lens  
ABS Plastic Base



Code No:	Voltage:	Light Source:	Current:
X195-02WH-SB	15-28v Ac/Dc ~	Xenon 5.0J	310 mA
X195-02WH	15-28v Ac/Dc ~	Xenon 5.0J	310mA
X195-05WH-SB	180-250v Ac ~	Xenon 5.0J	110 mA
X195-05WH	180-250v Ac ~	Xenon 5.0J	110mA

# Visual Signals XENON BEACONS

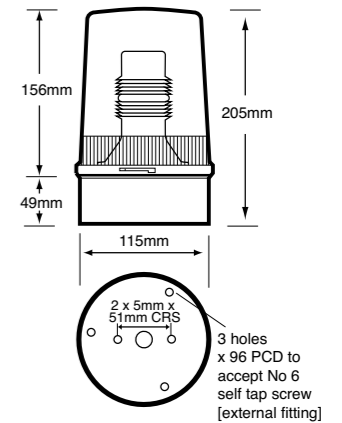


## Industrial Xenon Beacons > X201-200 Series

### Product overview

The X201/200 Series utilises a discharge capacitor and converter circuit to ignite xenon gas inside a tube, resulting in a brilliant flash of light. Xenon gas ignites virtually instantaneously so maximum brightness is obtained immediately. Xenons have an added advantage of low current consumption combined

with a reasonable life span. The X201/200 Series provides a 360-degree light output and has a Single Flash or Double Flash option. The Double Flash option extends the signal duration making it more noticeable to the human eye. Brightness is increased by the use of a Dioptric (Fresnel) lens which magnifies the light output. Xenon beacons are one of the most efficient, effective and brightest visual signals available.



### Features

- Continuously rated
- Suitable for use with conduit BESA box
- Suitable for surface or wall mounting
- Optional wall bracket & protective guard available – see accessory page
- Single or Double flash option
- Diode polarised [DP] options available for fire alarm systems
- 360° visibility
- IP65

### Material

UV Stable Polycarbonate Lens  
UV Stable ABS Plastic Base



Code No:	Voltage:	Light Source:	Current:
X201-18•	12/24v Dc ---	Xenon 10J/7.5J	1.45/0.7 A
X201-19••	12/24v Dc ---	Xenon 10J/7.5J	1.45/0.7 A
X200-88	24v Ac ~	Xenon 10J/7.5J	0.72 A
X200-21	115v Ac ~	Xenon 10J/7.5J	0.10 A
X200-22	230v Ac ~	Xenon 10J/7.5J	0.06 A

•Pre-set at 24v Dc ---

••Diode polarised

Kg 0.25

50 Hz

°C -25+45

IP 65

FPM 60

FIRE

Kg 0.72

50/60 Hz

°C -25+66

IP 65

FPM 60x90

FIRE

APPROVAL AND CONFORMITIES



ADD THE FOLLOWING LENS CODES TO THE PRODUCT CODE WHEN ORDERING

01 02 03 04 05

INDUSTRIAL

APPROVAL AND CONFORMITIES



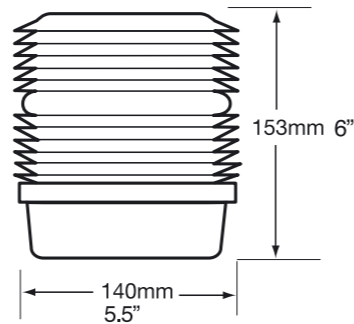
ADD THE FOLLOWING LENS CODES TO THE PRODUCT CODE WHEN ORDERING

01 02 03 04 05

INDUSTRIAL



## Visual Signals XENON BEACONS



0.5" NPT Conduit Thread  
2 x 0.2"Ø Drillout  
Fixing Holes on 3.5" PCD

### Industrial Xenon Beacons > X201SD-200S Series

#### Product overview

The X201SD/200S Series utilises a discharge capacitor and converter circuit to ignite xenon gas inside a tube, resulting in a brilliant flash of light. Xenon gas ignites virtually instantaneously so maximum brightness is obtained immediately. Xenons have an added advantage of low current

consumption combined with a reasonable life span. The X201SD/200S Series provides a 360-degree light output. The series are IP66 rated making them ideal for marine applications. The X201SD has double flash as standard. Xenon beacons are one of the most efficient, effective and brightest visual signals available.

#### Features

- Continuously rated
- Suitable for surface mounting
- Ideal for areas of high vibration
- Very robust construction
- 360° visibility
- IP66

#### Material

UV Stable Polycarbonate Lens  
Zinc Cast Metal Base

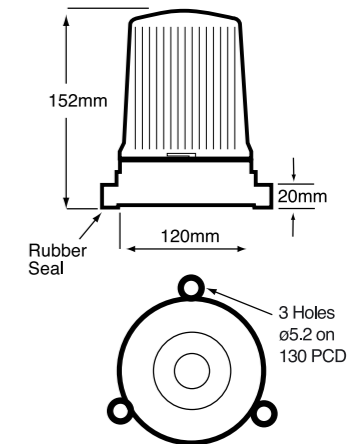


Code No:	Voltage:	Light Source:	Current:
X201SD-12	12-48v Dc ---	Xenon 11J	1.50 A •
X200S-240	240v Ac ~	Xenon 11J	0.05 A

• At 24v Dc ---



## Visual Signals XENON BEACONS



### Industrial Xenon Beacons > X250 Series

#### Product overview

The X250 Series utilises a discharge capacitor and converter circuit to ignite xenon gas inside a tube, resulting in a brilliant flash of light. Xenon gas ignites virtually instantaneously so maximum brightness is obtained immediately. Xenons

have an added advantage of low current consumption combined with a reasonable life span. The X250 Series provides a 360-degree light output and is rated at IP67 making it ideal for marine applications. It also has built-in vibration protection making it suitable for machinery and plant where excessive vibration is evident. Xenon beacons are one of the most efficient, effective and brightest visual signals available.

#### Features

- Continuously rated
- Suitable for surface or wall mounting
- Optional wall bracket & protective guard available – see accessory page
- Three-point fix external
- Anti-vibration protection built-in
- Ideal for areas of high vibration
- 360° visibility
- IP67

#### Material

UV Stable Polycarbonate Lens  
UV Stable ABS Plastic Base



Code No:	Voltage:	Light Source:	Current:
X250-18	10-100v Dc ---	Xenon 10J	0.05-0.16 A
	20-75v Ac ~	Xenon 10J	0.10-0.16 A
X250-22	230v Ac ~	Xenon 10J	0.08 A

Kg 0.92

50/60 Hz

°C -35+66

IP 66



MARINE



ADD THE FOLLOWING LENS CODES TO THE PRODUCT CODE WHEN ORDERING

01 02

INDUSTRIAL

Kg 0.45

50 Hz

°C -25+50

IP 67



MARINE



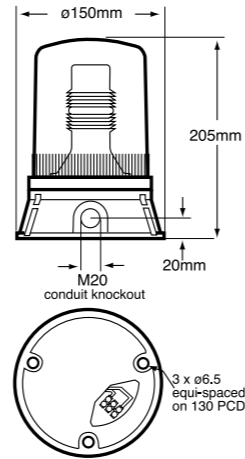
ADD THE FOLLOWING LENS CODES TO THE PRODUCT CODE WHEN ORDERING

01 02 03 04

INDUSTRIAL



# Visual Signals XENON BEACONS



## Industrial Xenon Beacons > X401-400 Series

### Product overview

The X401/400 Din Base Series utilises a discharge capacitor and converter circuit to ignite xenon gas inside a tube, resulting in a brilliant flash of light. Xenon gas ignites virtually instantaneously so maximum brightness is obtained immediately. Xenons have an added advantage of low current consumption combined with a reasonable life span. The X401/400 Series provides a 360-

degree light output and has a Single Flash or Double Flash option. The Double Flash option extends the signal duration making it more noticeable to the human eye. Brightness is increased by the use of a Dioptic (Fresnel) lens which magnifies the light output. This series also incorporates both bottom and side entry cabling access and mounting is achieved via external three point fixing. Xenon beacons are one of the most efficient, effective and brightest visual signals available.

### Features

Continuously rated

Suitable for surface or wall mounting

Optional wall bracket & protective guard available - see accessory page

360° visibility

Single or double flash option

Diode polarised [DP] options available for fire alarm systems

M20 side or bottom cable entry

IP65

### Material

UV Stable Polycarbonate Lens  
UV Stable ABS Plastic Base



Code No:	Voltage:	Light Source:	Current:
X401-18•	12/24v Dc ---	Xenon 10J/7.5J	1.45/0.7 A
X401-19••	12/24v Dc ---	Xenon 10J/7.5J	1.45/0.7 A
X400-88	24v Ac ~	Xenon 10J/7.5J	0.72 A
X400-89•	48v Ac ~	Xenon 7J/5J	0.37 A
X400-21	115v Ac ~	Xenon 10J/7.5J	0.10 A
X400-22	230v Ac ~	Xenon 10J/7.5J	0.06 A

•Pre-set at 24v Dc ---      ••Diode polarised  
•Ambient Temperature Range -25°C to +35°C



AUDIBLE & VISUAL  
SIGNALS FOR USE IN  
POTENTIALLY EXPLOSIVE  
ATMOSPHERES

Kg 0.82

50/60 Hz

°C -25+66

IP 65

FPM 60x90

INDUSTRIAL

APPROVAL AND CONFORMITIES



ADD THE FOLLOWING LENS CODES TO THE PRODUCT CODE WHEN ORDERING

01 02 03 04 05

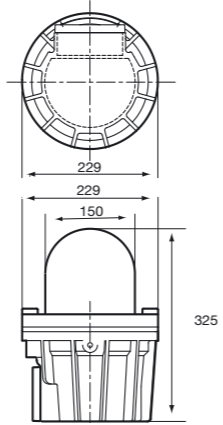
FIRE





# Visual Signals EXPLOSION PROOF

## BEACONS



### Explosion Proof 10J Xenon Beacons > EX200/201 Series

#### Product overview

The EX201 Series is an explosion proof xenon beacon range for operation in Zone 1 applications. They offer a wide range of voltages and also single or double flash options. Supplied with a protective guard as standard and of robust construction, the

EX201 series is ideal for hazardous area applications which require a product to withstand the most demanding of environments. The body is constructed of marine grade aluminium offering corrosion resistance and the lens is made from toughened borosilicate heat resistant glass.

#### Features

Rated for Category 1 use (formally Zone 1 & 2)

ATEX approved

II 2 G EEx de IIC T3 (T4)

2 x M20 Conduit

10 Joules

Single or double flash

Wide range of voltages

Protective guard fitted as standard

Robust housing

#### Material

Marine Grade Aluminium  
Toughened Glass Lens

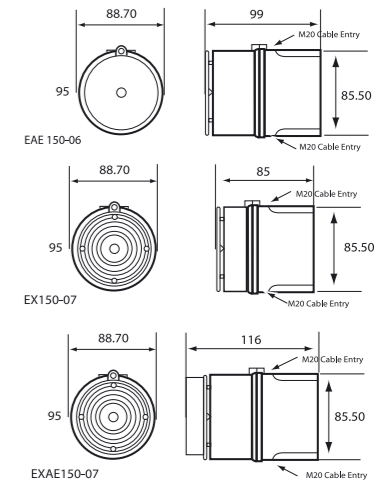


Code No:	Voltage:	Light Source:	Current:
EX201-07	12/24v Ac/Dc ~	Xenon 10/7.5J	1.45/0.7A
EX200-09	115v Ac ~	Xenon 10/7.5J	0.10A
EX200-10	230v Ac ~	Xenon 10/7.5J	0.06A

Pre-set at 24v  
Diode Polarised option available

# Visual|Audible Signals EXPLOSION PROOF

## BEACONS



### Intrinsically Safe Signal Range LED | Sounder | Combination Signals >

#### Product overview

Comprising of an alarm sounder with three alarm stages, a LED beacon fitted with 6 high intensity LEDs and a combined unit. These units need to be used with

a suitable zener barrier whose output parameters do not exceed  $V_o$  28v Dc,  $I_o$  93mA,  $P_o$  660mW or form any galvanic isolator specified by the system certificates.

#### Features

Rated for Category 1 use (formerly Zone 0, 1 & 2)

ATEX approved

II 1G EEx ia IIC T4

49 Tones

100dB @ 1m

Volume control

2 x 20mm cable entries

#### Material

Flame Retardant ABS UL 94 VO



Code No:	Voltage:	Light Source:	Current:
EAE150-06	16-28v Dc ---		25 mA
EX150-07	16-28v Dc ---	LED Array high intensity	25 mA
EXAE150-07	16-28v Dc ---	LED Array high intensity	48 mA
Zenerbarrier	16-28v Dc ---		

Kg 9.0

°C -25+66

IP 66



Kg 0.2 to 0.3

dB 100

°C -40+60

IP 65



ADD THE FOLLOWING LENS CODES TO THE PRODUCT CODE WHEN ORDERING



50/60 Hz



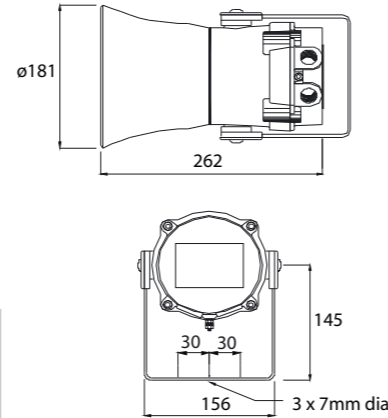
ADD THE FOLLOWING LENS CODES TO THE PRODUCT CODE WHEN ORDERING



# Audible Signals EXPLOSION PROOF



## SOUNDERS



### Explosion Proof Audible Sounders >

#### Product overview

This high decibel 32 tone selectable electronic sounder gives the user a choice of the 1st stage alarm tone with stage 2 and 3 fixed at manufacture. The tones include those covering the PFEER/UKOOA requirements.

#### Features

- Rated Category 1 use (formerly Zone 1 & 2)
- ATEX approved
- II 2 G EExd IIC T4
- 117dB @ 1m
- 2 x 20mm cable entries
- 4mm terminals for ease of connection

#### Material

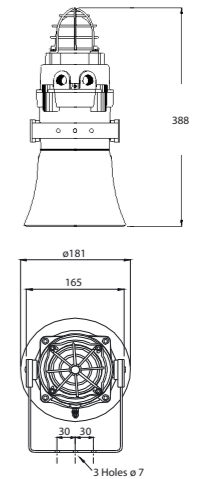
Marine Grade LM6 Aluminium



# Visual Audible Signals EXPLOSION PROOF



## BEACONS



### Explosion Proof Xenon Beacon Sounders > EXAE Series

#### Product overview

The combined xenon beacon/sounder offers the installer both visual and acoustic signals in one unit. The audio-visual components can be operated from a single power source or separately, offering unrivalled flexibility.

#### Features

- Rated Category 1 use (formerly Zone 1 & 2)
- ATEX approved
- II 2 G EExd IIC T4
- 117dB @ 1m
- 5 Joule beacon output
- 2 x 20mm cable entries
- 4mm terminals for ease of connection

#### Material

Marine Grade LM6 Aluminium



Code No:	Voltage:	Current:
EAE100-24	24v Dc ---	250 mA
EAE100-115	115v Ac ~	110 mA
EAE100-230	230v Ac ~	56 mA

Code No:	Voltage:	Light Source:	Current:
EXAE100-24	24v Dc ---	Xenon 5J	250 mA
EXAE100-115	115v Ac ~	Xenon 5J	140 mA
EXAE100-230	230v Ac ~	Xenon 5J	56 mA

Kg 3.20DC 3.40AC

dB 117

°C -50+55

IP 67



Kg 4.8DC 5.0AC

dB 117

°C -50+55

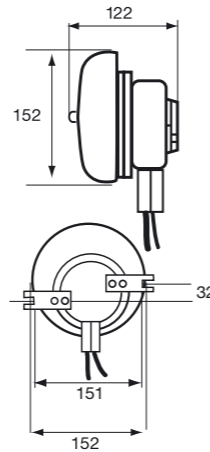
IP 67



# Audible Signals EXPLOSION PROOF



## BELLS



### UL Explosion Proof Bells > Product overview

The Adaptabel range of explosion proof, UL approved bells produce a distinctive, loud and clear ringing that is free of mechanical clatter. The striker hits the gong in a continuous, rapid-fire action as long as current is applied and the low power drain ensures efficient operation over longer periods.

These 6" bells have a corrosion-resistant finish and include a sealing fitting for 3/4" conduit and wire leads for power connections in hazardous locations. Diode polarized version available on 24v Dc. An adjustment free, self-compensating plunger, mounts to any solid surface using 3/8" (10mm) fasteners.

#### Features

- UL Listed for Class I Divisions 1 & 2 Groups B, C & D
- Class II Divisions 1 & 2 Group E, F & G
- Class III
- UL 1203 Listed
- 102dB @ 1m
- Diode polarized on 24v Dc
- Loud, clear ring
- 6-inch gong

#### Material

Cast Zinc 'Zamak'

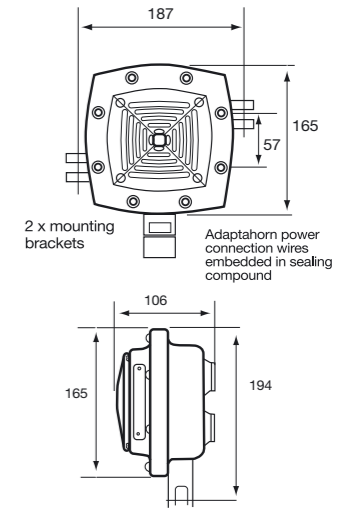


Code No:	Voltage:	Current:
EA6B-K435EX-6E1	12v Dc ---	0.52 A
EA6B-K435EX-6G1	24v Dc ---	0.21 A
EA6B-K340EX-6N5	120v Ac ~	0.041 A
EA6B-K340EX-6R5	240v Ac ~	0.021 A

# Audible Signals EXPLOSION PROOF



## SOUNDERS



### UL Explosion Proof Buzzers > Product overview

The Adaptahorn range of explosion proof, UL approved buzzers offer a heavy-duty, high decibel vibrating signal for hazardous locations. The

buzzers feature a low power drain, ensuring efficient operation over long periods. Diode polarized version available on 24v Dc.

#### Features

- UL Listed for Class I Divisions 1 & 2 Groups B, C & D
- Class II Divisions 1 & 2 Group E, F & G
- Class III locations
- Distinctive sound

#### Material

Cast Zinc 'Zamak'



Code No:	Voltage:	Frequency:	Current:
EABK879EX-E1	12v Dc ---	350-400Hz	0.27 A
EABK879EX-G1	24v Dc ---	350-400Hz	0.16 A
EABK878EX-N5	120v Ac ~	350-400Hz	0.125 A
EABK878EX-R5	240v Ac ~	350-400Hz	0.065 mA

Kg 3.2

dB 102

°C 0+49

IP 65

CONTINUOUS



Kg 4.0

50/60 Hz

dB 109

°C 0+49

IP 55

CONTINUOUS

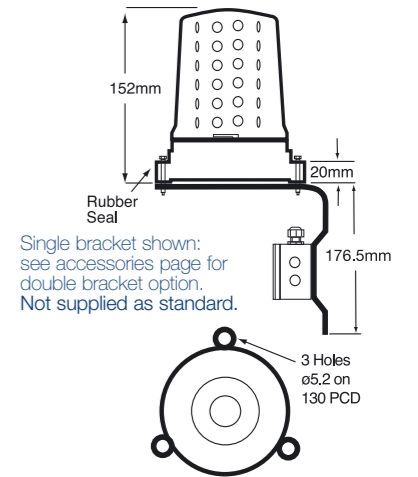
MOFLASH



OBSTACLE MARKING

Visual Signals  
OBSTACLE MARKING

BEACONS



## Obstacle Marking : Low Intensity Lights > Product overview

The LED501/500 Series conforms to the requirements of the ICAO for aviation obstruction marking. Each beacon contains six diode strips each with eight, horizontally aligned LED's

thus exceeding the minimum requirements of the ICAO of 10 cd explicit without dazzling. With robust, corrosion-free construction and rubber housing for vibration protection, the LED501/500 series is ideal for most low intensity applications.

### Features

Conforms to ICAO Annexe 14 Volume 1 for steady, red, low intensity Type C beacons

Static red (non-flashing) signal

LED long life

Corrosion free

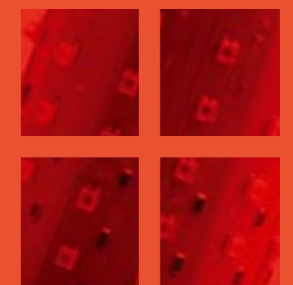
Optional single or double mounting bracket – see accessory page

IP65

### Material

Elastic TPF (Solid Rubber)  
Polycarbonate Lens

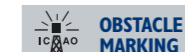
Code No:	Voltage:	Light Source:	Current:	Effective CD:
LED501-02-10-02	24v Dc ---	LED 10w/50-60J	800 mA	10cd
LED500-04-10-02	230v Ac ~	LED 10w/50-60J	70 mA	10cd
50004		Right angled bracket for single beacon		
50159		Right angled bracket for single beacon complete with cable box		
50160		Double bracket with twin mount complete with cable box		



Kg 0.45

°C -20+50

IP 65



APPROVAL AND CONFORMITIES ICAO Conforming RoHS CE

ADD THE FOLLOWING LENS CODES TO THE PRODUCT CODE WHEN ORDERING

02

# Visual Signals OBSTACLE MARKING

## BEACONS

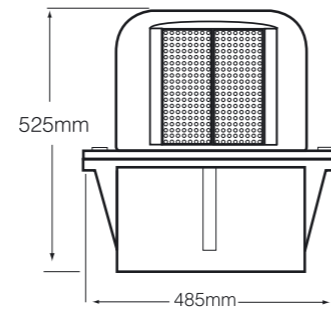


### Obstacle Marking : Medium Intensity Lights 2000cd >

#### Product overview

The LED 2000 Series conforms to the requirements of the ICAO for aviation obstruction marking. Designed for use on tall buildings, masts and pylons making it ideal for remote or inaccessible locations. The

LED pentagon shaped tower, incorporating 800 high power LEDs, allows for a perfect 360° beacon which can be visible over 15 miles in optimum weather conditions. 3 meters of 1.5 SY steel braided cable is supplied attached to the beacon assembly making entry to the beacon unnecessary.



#### Features

Conforms to ICAO regulation Annex 14 Volume 1 for steady, medium intensity Type C beacons

IP67

Low maintenance

Long life

360° visibility

#### Material

Cast Aluminium  
UV Stable Polycarbonate Lens

Code No:	Voltage:	Light Source:	Effective CD:
LED-04-2000-02	230v Ac ~	LED output	2000cd



## MOFLASH



## AUTOMOTIVE

Kg 19

°C -40+55

50/60 Hz

IP 67

OBSTACLE MARKING

MARINE

APPROVAL AND CONFORMITIES ICAO Conforming RoHS CE

ADD THE FOLLOWING LENS CODES TO THE PRODUCT CODE WHEN ORDERING

02

# Visual Signals AIRPORT VEHICLE WARNING BEACONS

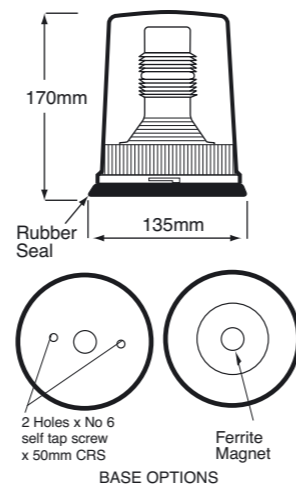


## Airport Vehicle Warning Beacons > FF98 Series

### Product overview

The FF98 Series operates through an internal circuit which simply cycles the lamp On and Off. Suitable for airport use, the FF98 series conforms to Civil Aviation Authority 'CAP 168' requirements for vehicle warning lights when fitted with

an amber lens. The FF98 is available as either a permanent fixed unit or with a magnetic base and vehicle lighter socket lead for temporary and occasional use. This is ideal for when the beacon is not required to be fixed permanently to the roof of the vehicle.



### Features

- Continuously rated
- Conforms to CAP 168 with Amber Lens
- Choice of magnetic or fixed mounting options
- 360° visibility
- IP65

### Material

UV Stable Polycarbonate Lens  
Acetal Base with Neoprene Cover



# Visual Signals AUTOMOTIVE BEACONS

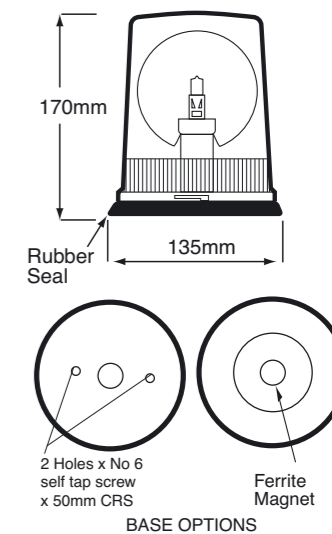


## Automotive Rotating Beacons > R88 Series

### Product overview

The R88 Series uses a parabolic reflector which, driven by an electric motor, revolves around a continuously illuminated lamp on the vertical axis of the beacon creating a powerful beam of light travelling through 360 degrees. Generally, this type of beacon

has a greater degree of light output than other models but this is off-set by the fact that the parabolic reflector only illuminates one given point at a time. The R88 is available as either a permanent fixed unit or with a magnetic base and vehicle lighter socket lead for temporary and occasional use. This is ideal for when the beacon is not required to be fixed permanently to the roof of the vehicle.



### Features

- Continuously rated
- Choice of magnetic or fixed mounting options
- Worm drive system
- IP65

### Material

UV Stable Polycarbonate Lens  
Acetal Base with Neoprene Cover



Code No:	Voltage:	Light Source:	Current:
----------	----------	---------------	----------

#### FLASHING FILAMENT MB (Magnetic Base)

FF98-34	12v Dc ---	Ba15d x 21w	1.75 A
FF98-38	24v Dc ---	Ba15d x 21w	0.88 A

#### FLASHING FILAMENT SF (Fixed Base)

FF98-37	12v Dc ---	Ba15d x 21w	1.75 A
FF98-39	24v Dc ---	Ba15d x 21w	0.88 A

Kg 1.00 MB

Kg 0.65 SF

°C -25+66

IP 65

FPM 60

AUTOMOTIVE

APPROVAL AND CONFORMITIES



CAP168

ADD THE FOLLOWING LENS CODES TO THE PRODUCT CODE WHEN ORDERING

01

02

03

04

05

Kg 1.11 MB

Kg 0.67 SF

°C -25+66

IP 65

FPM 160±30

AUTOMOTIVE

APPROVAL AND CONFORMITIES



ADD THE FOLLOWING LENS CODES TO THE PRODUCT CODE WHEN ORDERING

01

02

03

04

05



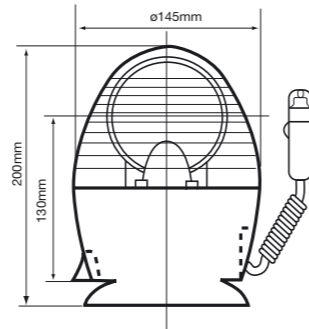
## Visual Signals AUTOMOTIVE BEACONS

### Automotive Rotating Beacons > RTCMB Series

#### Product overview

The RTCMB 12/24v Dc uses a parabolic reflector which, driven by an electric motor, revolves around a continuously illuminated lamp on the vertical axis of the beacon creating a powerful beam of light travelling through 360 degrees. Generally, this type of beacon has a

greater degree of light output than other models but this is off-set by the fact that the parabolic reflector only illuminates one given point at a time. The RTCMB is supplied with a magnetic base and vehicle lighter socket lead. This is ideal for when the beacon is not required to be fixed permanently to the roof of the vehicle. The RTCMB is both 12vDc and 24vDC – the voltage supply is determined by the lamp voltage used ie: 12vDc H1 or 24vDc H1.

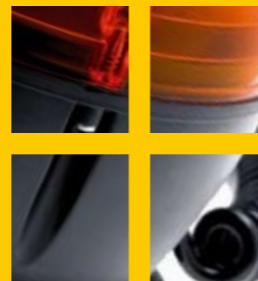


#### Features

- Continuously rated
- 360° visibility
- Magnetic base
- IP65

#### Material

Acrylic Lens  
ABS Plastic Base



Code No:	Voltage:	Light Source:	Current:
RTCMB-12	12/24v Dc	H1 x 55w H1 x 70w	4.70 A 3.00 A

Voltage depends on lamp fitted

**Kg** 0.97

**°C** -30+66

**IP** 65

**RPM** 160±30

**AUTOMOTIVE**

ADD THE FOLLOWING LENS CODES TO THE PRODUCT CODE WHEN ORDERING

01



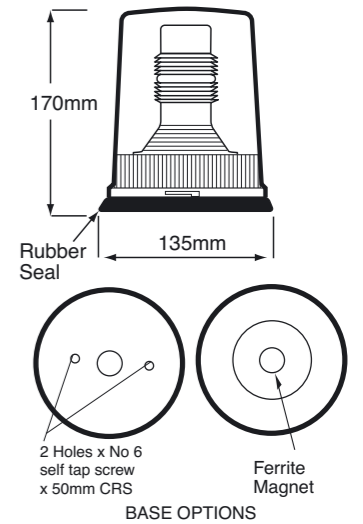
## Visual Signals AUTOMOTIVE BEACONS

### Automotive Xenon Beacons > X88 Series

#### Product overview

The X88 Series utilises a discharge capacitor and converter circuit to ignite xenon gas inside a tube, resulting in a brilliant flash of light. Xenon gas ignites virtually instantaneously so maximum brightness is obtained immediately. Xenons have an

added advantage of low current consumption combined with a reasonable life span. The X88 is available as either a permanent fixed unit or with a magnetic base and vehicle lighter socket lead for temporary and occasional use. This is ideal for when the beacon is not required to be fixed permanently to the roof of the vehicle.



#### Features

- Continuously rated
- Choice of magnetic or fixed options
- 360° visibility
- IP65

#### Material

UV Stable Polycarbonate Lens  
Acetal Base with Neoprene Cover



Code No:	Voltage:	Light Source:	Current:
<b>XENON MB (Magnetic Base)</b>			
X88-72	12/24v Dc ---	Xenon 10J/7.5J	1.40/0.7 A
<b>XENON SF (Fixed Base)</b>			
X88-75	12/24v Dc ---	Xenon 10J/7.5J	1.40/0.7 A

• Pre-set at 24v Dc ---

**Kg** 1.11 MB

**Kg** 0.67 SF

**°C** -25+66

**IP** 65

**FPM** 60x90

**AUTOMOTIVE**

APPROVAL AND CONFORMITIES

ADD THE FOLLOWING LENS CODES TO THE PRODUCT CODE WHEN ORDERING

01 02 03 04 05

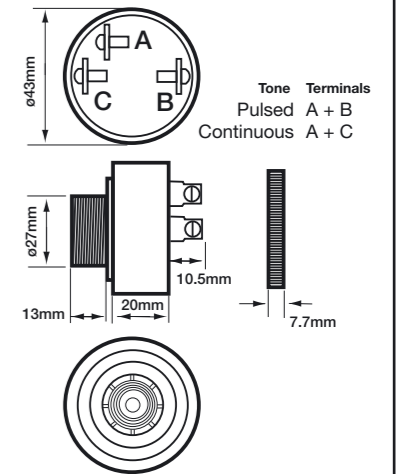
APPROVAL AND CONFORMITIES

MOFLASH



PIEZO BUZZERS

ACOUSTIC



## Acoustic Signals > AE20M Piezo Buzzer Series

### Product overview

The AE20M Piezo Buzzer Series offers an economical and cost effective solution for local area applications. At only

43mm diameter, the buzzer offers the installer an unobtrusive acoustic signal in a wide range of voltages with most voltages offering pulsed or continuous tone capability.

#### Features

- Compact
- 90 dB
- Pulsed or continuous tone
- Local signalling applications
- IP55

#### Material

ABS Plastic

ACOUSTIC

Code No:	Voltage:	Frequency:	Current:
AE20M-12 <sup>•</sup>	12v Ac/Dc ~	2900 Hz	20 mA
AE20M-24	24v Ac/Dc ~	2900 Hz	10 mA
AE20M-48	48v Ac/Dc ~	2900 Hz	10 mA
AE20M-115	115v Ac ~	2900 Hz	20 mA
AE20M-230	230v Ac ~	2900 Hz	10 mA

<sup>•</sup> Pulsed tone only



**Kg** 0.08

**50/60 Hz**

**°C** -20+60

**IP** 55

**dB** 90

**PULSED OR CONTINUOUS**

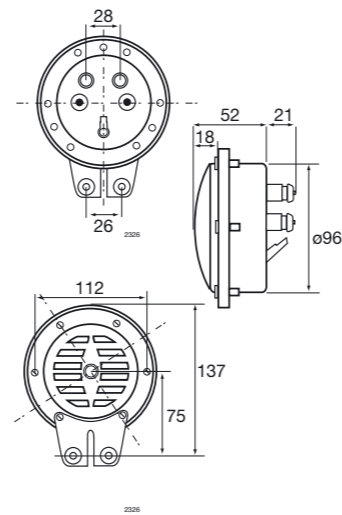
APPROVAL AND CONFORMITIES    

**INDUSTRIAL**





## INDUSTRIAL BUZZERS ACOUSTIC



### Acoustic Signals Industrial Buzzers > AE95 Series

#### Product overview

The AE95 is a medium output low frequency mechanical buzzer. The IP protection can be increased to IP55 by use of the optional weatherproof back

box. The AE95 is suitable for a wide range of applications including fork lift trucks, emergency alarms, process control alarms and for mechanical handling machinery.

#### Features

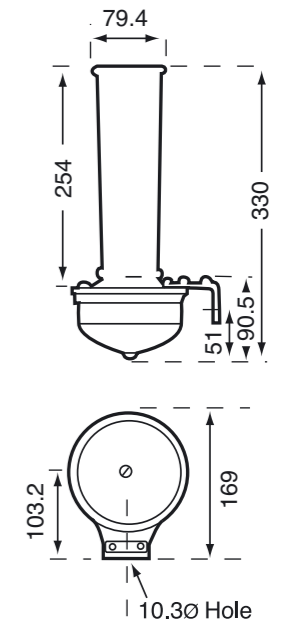
- Industrial buzzer
- Wide voltage range
- Low frequency tone
- 10 minute rating
- IP53 (IP55 with back box)
- 110dB @ 1m
- Rated 10 min On / 10 min Off

#### Material

Mild Steel



## MARINE BUZZER ACOUSTIC



### Acoustic Signals Industrial | Marine Buzzer > ABHF8 Series

#### Product overview

The ABHF8 Series buzzer is a weatherproof signalling horn designed for both industrial and light marine applications. Producing a high output penetrating

sound, it is particularly suitable for use on small boats and canal barges as well as for industrial uses such as time signalling and process control alarms. With a wide voltage range and rugged metal casting, it is suitable in almost any environment.

#### Features

- Industrial/marine buzzer
- High output penetrating sound
- IP65
- 111dB @ 1m
- Rated 10 min On / 10 min Off

#### MATERIAL

Brass



Code No:	Voltage:	Frequency:	Current:
AE95-05	24/48v Ac/Dc ~	335 Hz	0.8 A
AE95-06	115/230v Ac/Dc ~	335 Hz	0.4/0.2A
AE95-BB	Weatherproof back box		

Code No:	Voltage:	Frequency:	Current:
ABHF8-1437	24/48v Ac/Dc ~	335 Hz	0.20 A
ABHF8-1436	115/230v Ac/Dc ~	335 Hz	0.80 A

Kg 0.5

50/60 Hz

°C -20+66

IP 53/55°

ON 10 MINS  
OFF 10 MINS

INDUSTRIAL

dB 110

APPROVAL AND CONFORMITIES



Kg 2.10

50/60 Hz

°C -20+40

IP 65

ON 10 MIN  
OFF 10 MIN

INDUSTRIAL

APPROVAL AND CONFORMITIES



MARINE

dB 111

# INDUSTRIAL BUZZERS

## ACOUSTIC

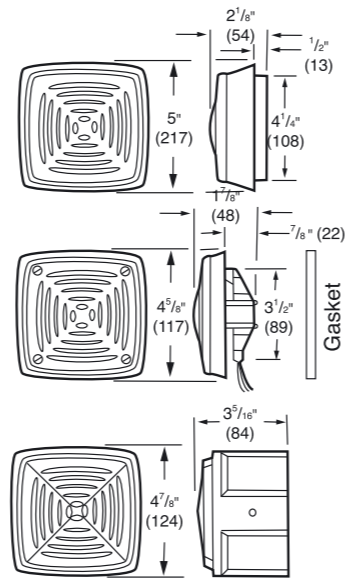


### Acoustic Signals Industrial Buzzers > Adaptahorn Series

#### Product overview

The Adaptahorn buzzer has a powerful output giving a penetrating, low frequency sound. With a variety of

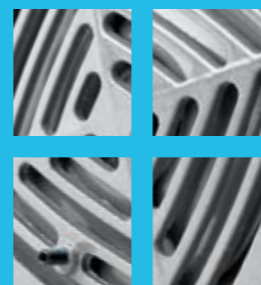
mounting options, they can be used in almost any application, both indoors and outdoors. Adaptahorns are available as a grill version for flush mounting and also as a weatherproof version.



#### Features

- High output penetrating sound
- Durable, long life mechanism
- Continuously rated

**Material**  
Zinc Alloy



# ELECTRONIC

## ACOUSTIC

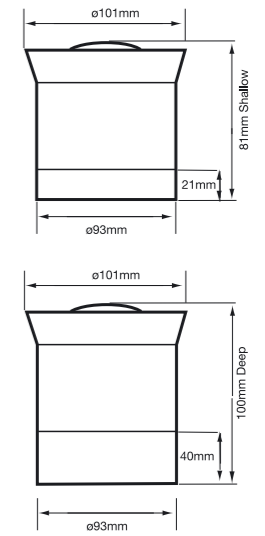


### Acoustic Signals Electronic Sounders > AE40M Series

#### Product overview

The AE40M Series is an 8-tone electronic sounder available in 10-30v Dc and 230v Ac versions. This product is ideal for fire alarm and close proximity

industrial applications. The Dc version is available in both deep base or shallow base, with deep base offering side entry and increased IP protection. The Ac version is deep base as standard.



#### Features

- Low current consumption
- IP54 or 65
- Selectable tones (8)
- Suitable for use with the Easy AVR upgrade LED

**Material**  
ABS Plastic



Code No:	Voltage:	Frequency:	Current:
ABK875-G1	24v Dc ---	350-400 Hz	0.16 A
ABK874-N5	120v Ac ~	350-400 Hz	0.13 A
ABK874-R5	230v Ac ~	350-400 Hz	0.06 A
<b>Weatherproof Type</b>			
ABK877-G1	24v Dc ---	350-400 Hz	0.16 A
ABK876-N5	120v Ac ~	350-400 Hz	0.13 A
ABK876-R5	230v Ac ~	350-400 Hz	0.06 A

Code No:	Voltage:	Frequency:	Current:
AE40M-24R-SB	10-30v Dc ---	800-2580 Hz	32 mA
AE40M-24R	10-30v Dc ---	800-2580 Hz	32 mA
AE40M-230R	230v Ac ~	800-2580 Hz	50 mA

• Current at 24v Dc ---

**Kg** 1.2/1.6

**50/60 Hz**

**°C** -35+66

**IP** 44/65

**CONTINUOUS**

**INDUSTRIAL**

**Kg** 0.32

**°C** -20+45

**IP** 54/65

**8 TONES CONTINUOUS**

**FIRE**

**dB** 100

APPROVAL AND CONFORMITIES



**dB** 112

APPROVAL AND CONFORMITIES



**INDUSTRIAL**



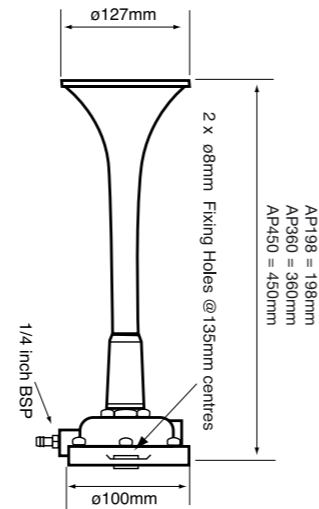
## INDUSTRIAL AIRHORNS ACOUSTIC

### Acoustic Signals Industrial Airhorns > AP Series

#### Product overview

The AP Series of air horns are suitable for general purpose signalling where high output is required such as foundries, steelworks and petrochemical plants. Operated from a

compressed air supply, their powerful low frequency sound cuts through background noise to provide an effective alarm. Optional compressor available for applications which do not have an on-site air supply.



#### Features

- Continuous signal
- Optional compressor if no direct air supply available
- 125dB @ 1m
- Robust construction

#### MATERIAL

Aluminium Body  
Brass Horn



Code No:	Air Consumption:	Air Pressure:	Frequency:
AP198M	50-133 L/min	55-140 psi	660 Hz
AP360M	50-133 L/min	55-140 psi	387 Hz
AP450M	50-133 L/min	55-140 psi	307 Hz
APTD-Compressor 24v Dc --- (90mm O/D x 165mm L 50PSI)			

Kg 1.4

°C -30+90

IP 66

dB 125

INDUSTRIAL

APPROVAL AND CONFORMITIES  
RoHS  
CE



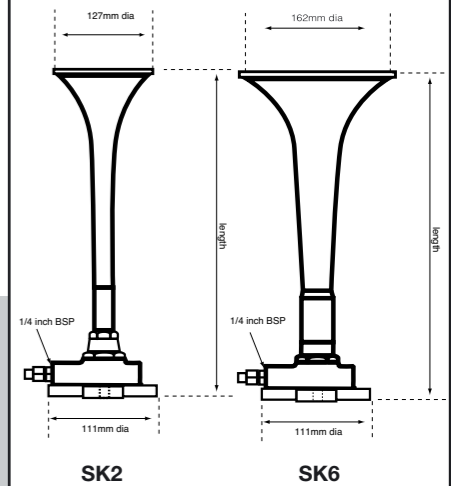
## MARINE | INDUSTRIAL AIRHORNS ACOUSTIC

### Acoustic Signals Industrial Air Horns > SK Series

#### Product overview

The SK Series of air horns are manufactured from non-ferrous materials which offer high corrosion and weatherproof resistance for use in railway and marine applications as well

as general purpose signalling. Operated from a compressed air supply, their powerful high output low frequency sound cuts through background noise to provide an effective warning. Optional compressor available for applications which do not have an on-site air supply.

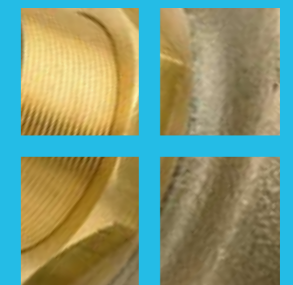


#### Features

- Continuous signal
- Optional compressor if no direct air supply available
- 120-134dB at 1m
- Robust construction
- Easy to install

#### Material

Brass/Phosphur bronze



Code No:	Length:	dB:	Air Consumption:	Air Pressure:	Rating:
APSK6-GM	341mm	132	50-100 L/min	50-100 psi	Continuous
APSK2-GM	358mm	120	50-100 L/min	10-30 psi	Continuous
APSK2-EM	435mm	134	50-100 L/min	10-30 psi	Continuous
APSK6-EM	437mm	124	50-100 L/min	50-100 psi	Continuous

APSK-Compressor for SK2 only (49mm o/d, 116mm L, 0.41kg, 14 PSI, 24v DC)

Kg 1.80

GM 370 Hz

EM 315 Hz

IP 66

dB 120 -134

INDUSTRIAL

APPROVAL AND CONFORMITIES  
RoHS  
CE

MARINE



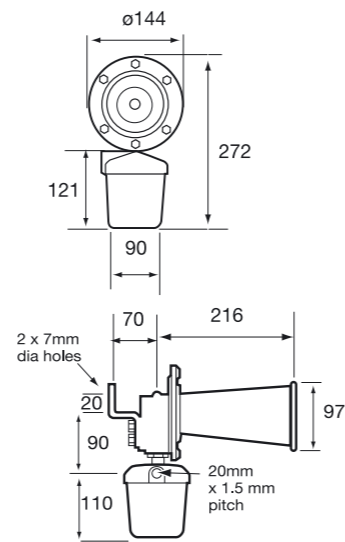
## Acoustic Signals Industrial Hooters > A1 Series

### Product overview

The A1 is a powerful motor driven hooter giving the unique 'Klaxon' sound. The high output, low frequency resonating sound gives a powerful warning tone. With a sound output of 120dB,

it can cut through background noise in almost any environment and is ideal for use as a time signalling alarm or process alarm in the noisiest factory. In addition, the A1 can be used on barges, work boats and dock sides and for other similar marine applications.

## HOOTERS ACOUSTIC



### Features

- Powerful, high output  
120dB
- Robust construction
- Weatherproof to IP65

### Material

- Die cast aluminium & zinc
- Mild steel
- ABS Plastic



Code No:	Voltage:	Frequency:	Current:
AHA1-2000	12v Dc ---	420 Hz	5.0 A
AHA1-2001	24v Dc ---	420 Hz	2.30 A
AHA1-2002	48v Dc ---	420 Hz	1.30 A
AHA1-2004	115v Ac ~	420 Hz	0.84 A
AHA1-2003	230v Dc ---	420 Hz	0.80 A
AHA1-2006	230v Ac ~	420 Hz	0.76 A

Kg 2.0

50/60 Hz

°C -35+66

IP 65

ON 2 MIN  
OFF 5 MIN

INDUSTRIAL

dB 120

MARINE

APPROVAL AND CONFORMITIES



## Acoustic Signals Industrial Hooters > Klaxet Series

### Product overview

The Klaxet is a motor driven hooter giving the unique 'Klaxon' sound. The high output, changing frequency note gives a powerful warning tone which can be heard above background noise in industrial

applications. The Klaxet is ideal for time signalling, process control alarms, telephone extension ringing (as originally used by British Telecom) and cranes. Manufactured with a cast iron housing, the Klaxet is designed to withstand rugged use in all situations.

## HOOTERS ACOUSTIC

20mm

### Features

- Powerful, high output  
111dB
- Robust construction
- Weatherproof to IP54

### Material

- Cast iron / mild steel



Code No:	Voltage:	Frequency:	Current:
AHKLAXET-1000	12v Dc ---	470 Hz	2.50 A
AHKLAXET-1001	24v Dc ---	470 Hz	1.00 A
AHKLAXET-1008	115v Ac ~	470 Hz	0.50 A
AHKLAXET-1010	230v Ac ~	470 Hz	0.33 A

Kg 1.60

50/60 Hz

°C -20+40

IP 54

ON 1 MIN  
OFF 5 MIN

INDUSTRIAL

dB 111

APPROVAL AND CONFORMITIES





## HOOTERS ACOUSTIC

### Acoustic Signals Industrial Hooters > ES Manual Series

#### Product overview

The ES is a manually operated hooter producing the unique 'Klaxon' sound for applications where a power supply is unavailable. Typical

applications include small boats, canal barges, mine trucks and fork lift trucks. The ES gives a powerful sound which, with its low frequency tone, makes it an effective warning device.



#### Features

- Manual operation – no power supply required
- Lightweight and compact
- Robust and reliable

#### Material

Mild steel



Code No:                      Frequency:

AHES-1290                      150-350 Hz

**Kg** 1.20

**dB** 103

**IP** 54

**INDUSTRIAL**

APPROVAL AND CONFORMITIES    



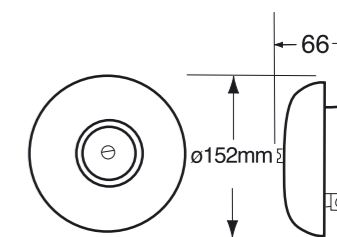
## FIRE BELL ACOUSTIC

### Acoustic Signals Fire Bell > A6FB Series

#### Product overview

The A6FB is an economy bell suitable for fire alarm signalling applications. It produces the traditional alarm bell sound and offers easy installation. The bell

has the following mounting options: 50mm and 60mm pitch holes suitable for BESA box mount; 4" square or single mount Gang Box.



#### Features

- Diode polarized
- 98+-3 dB
- Terminal allows for 2+ and 2- cabling, up to 2.5mm<sup>2</sup>

#### Material

Steel Gong  
Plastic Back Box



Code No:

Voltage:

Current:

A6FB-24DC-DP

18-28v Dc ---

15mA  
at 24v Dc

**Kg** 0.5

**°C** -20+45

**IP** 42

**FIRE**

**dB** 98±3

APPROVAL AND CONFORMITIES    



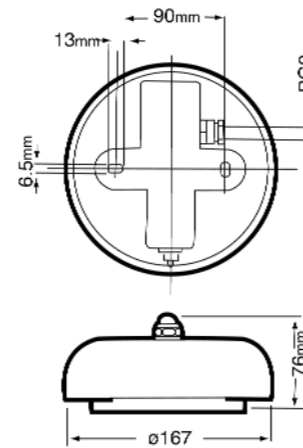
## INDUSTRIAL | MARINE BELL ACOUSTIC

### Acoustic Signals Industrial & Marine Bells > IP66 Series

#### Product overview

The IP66 bell is a fully enclosed signal bell. It is suitable for areas where harsh weather conditions exist, such as

exposed outdoor locations, marine applications and wash/hose down areas. The solenoid driven mechanism produces a clear, loud tone.



#### Features

High quality penetrating sound

Weatherproof to IP66

#### Material

Steel gong



Code No:	Voltage:	Current:
A6B-12DC-IP66	12v Dc ---	0.06 A
A6B-24DC-IP66	24v Dc ---	0.03 A
A6B-115AC-IP66	115v Ac ~	0.90 A
A6B-230AC-IP66	230v Ac ~	0.50 A



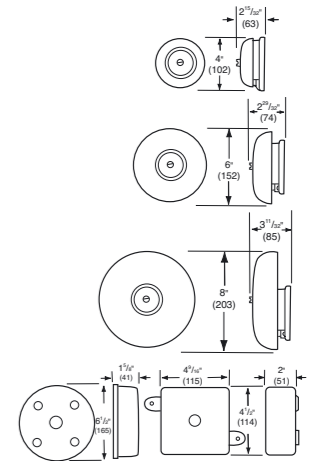
## INDUSTRIAL BELL ACOUSTIC

### Acoustic Signals Industrial Bells > Adaptabel Series

#### Product overview

The Adaptabel range is a high quality solenoid driven bell designed for use in commercial, industrial and transportation applications. With a choice of three gong sizes, this unit delivers

a clear, loud ring which is free from mechanical clatter. The bigger the gong, the deeper, louder and more penetrating the sound. When fitted with the optional back box, the units are weatherproof and suitable for mounting in exposed locations. Red version available in 6" 24v Dc.



#### Features

Supplied with a universal mounting plate for all installation options

Rugged die-cast construction

Robust and reliable

Wide range of voltages available

Optional IP65 weatherproof back box

#### Material

Steel gong



Code No:	Voltage:	Size:	dB:	Current:
A4B-K-12DC	12v Dc ---	101mm/4"	99dB	125 mA
A4B-K-24AC	24v Ac ~	101mm/4"	99dB	-
A4B-K-24DC	24v Dc ---	101mm/4"	99dB	62 mA
A4B-K-115AC	115v Ac ~	101mm/4"	99dB	34 mA
A4B-K-230AC	230v Ac ~	101mm/4"	99dB	22 mA
A6B-K-12DC	12v Dc ---	152mm/6"	101dB	125 mA
A6B-K-24AC	24v Ac ~	152mm/6"	101dB	-
A6B-K-24DC	24v Dc ---	152mm/6"	101dB	62 mA
A6B-K-24DCR	24v Dc ---	152mm/6"	101dB	-
A6B-K-115AC	115v Ac ~	152mm/6"	101dB	34 mA
A6B-K-230AC	230v Ac ~	152mm/6"	101dB	22 mA
A8B-K-24DC	24v Dc ---	203mm/8"	102dB	62 mA
A8B-K-115AC	115v Ac ~	203mm/8"	102dB	34 mA
A8B-K-230AC	230v Ac ~	203mm/8"	102dB	22 mA

AB-K-WPBB Weatherproof backbox • Cabling entries x 3 (3/4"NPT or M20)

Kg 1.00

dB 103

°C -30+50

IP 66

CONTINUOUS

INDUSTRIAL

Kg 1.0/1.4/2.3

dB 99 - 102

°C -35+66

IP 44/65°

CONTINUOUS

INDUSTRIAL

MOFLASH

ACCESSORIES

BRACKETS  
50001>50160

50001 Right Angled Wall Bracket  
Suitable for use with 88, 125 & 201/200 series beacons

50004 Right Angled Wall Bracket  
Suitable for use with 401/400, 501/500, 600 & X250 series beacons

50006 Pipe Bracket  
Suitable for use with 401/400, 501/500, 600 & X250 series beacons

50159  
Single Bracket with Cable Box ICAO

Suitable for use with LED 501/500 & X250 series beacons

50160  
Double Bracket with Cable Box ICAO

Suitable for use with LED 501/500 & X250 series beacons



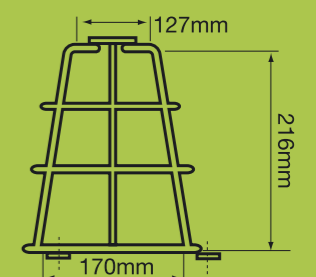
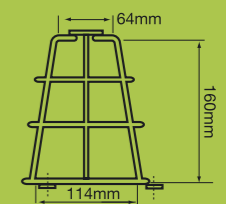
CAGE  
GUARDS  
50003>50010

50003 Small Cage Guard

50003/1 Optional Mounting Plate  
Suitable for use with 125 series beacons

50010 Large Cage Guard

50010/1 Optional Mounting Plate  
Suitable for use with 201/200, 401/400 & 501/500 series beacons



ACCESSORIES

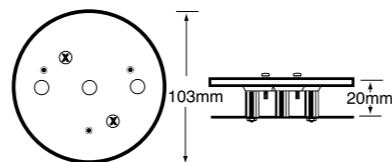
**ACCESSORIES**

ANTI - VIBRATION MOUNT

50080



50080 Anti-Vibration Mount  
Suitable for use with 88, 125, 201/200 series beacons



SPARE LENS  
COVERS

50018>50022

50018 Red Lens  
50019 Amber Lens  
50020 Blue Lens  
50021 Green Lens  
50022 Clear Lens  
All suitable for use with 125 series beacons only



SPARE LENS  
COVERS

50064>50068

50064 Red Lens  
50065 Amber Lens  
50066 Blue Lens  
50067 Green Lens  
50068 Clear Lens  
All suitable for use with 88, 98, 201/200, 401/400 & 501/500 series beacons

