

LOW PROFILE LINE MATCHING TRANSFORMER

P1165

Features

- * Low Profile (11mm)
- * Lead-free (Pb-free)
- * RoHS compliant
- * Vacuum encapsulated
- * IEC 60950 and UL 60950 certified
- * UL Recognized Component
- * High Thermal Stability

Applications

- * Telecommunications
- * Modems to V.34
- * Line matching
- * Portable computers
- * Fax/modems
- * Instrumentation
- * Voice

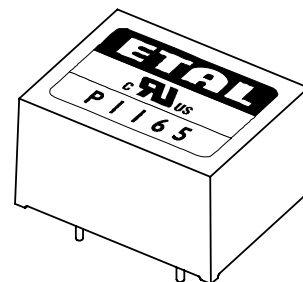
DESCRIPTION

P1165 is intended for data communications at V.32bis (14,400 bits/second) data rates. With careful circuit design, P1165 may be used for V.34 applications to 33,600 bits/second or higher.

P1165 is specifically designed to be easily matched to both 600ohm and complex impedance telephone lines, using a minimum of external components.

P1165 also exhibits stable characteristics over its operating temperature range to maximize data throughput under varying environmental conditions without the need for modem retraining.

P1165 is certified to IEC 60950 and UL 60950. P1165 is a UL Recognized Component and is supported by an IEC CB Test Certificate. The part is completely lead-free, compliant with RoHS Directive 2002/95/EC, and suitable for lead-free and conventional processing.



SPECIFICATIONS

Electrical

At T = 25°C and as circuit fig. 2 unless otherwise stated.

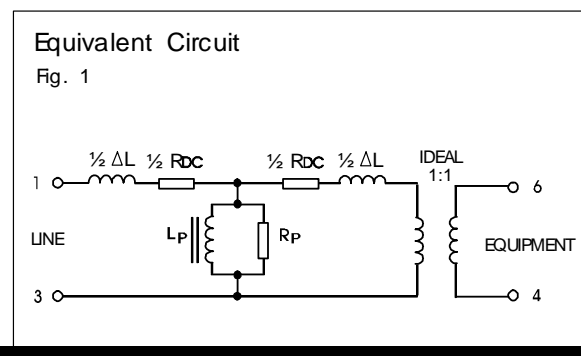
Parameter	Conditions	Min	Typ	Max	Units
Insertion Loss	f = 2kHz, R _L = 560Ω	-	-	1.5	dB
Frequency response	LF-3dB cutoff	-	30	-	Hz
	HF-3dB cutoff	-	15	-	kHz
	200Hz - 4kHz	-	-	±0.2	dB
Return Loss	200Hz - 4kHz	18	-	-	dB
Distortion ⁽¹⁾	0dBm in line, 3 rd Harmonic	-	-	-	-
	f = 600Hz	-	-76	-72	dBm
	f = 450Hz	-	-75	-70	dBm
Balance	DC – 5kHz Method TG25	80	-	-	dB
Saturation	Excitation 50Hz 250V rms. Output voltage across line	-	-	10	V rms
		-	-	65	V peak
Voltage isolation ⁽²⁾	50Hz	3.88	-	-	kVrms
	DC	5.5	-	-	kV
Operating range:	Ambient temperature	-	-	-	-
Functional		-25	-	+85	°C
Storage		-40	-	+125	°C
Humidity		-	-	95	%R.H.

Lumped equivalent circuit parameters as Fig. 1

DC resistance, R _{DC} ⁽³⁾	Sum of windings	108	-	132	Ω
Leakage inductance ΔL		6.5	-	7.5	mH
Shunt inductance L _p ⁽⁴⁾	100mV 200Hz	2.25	4	10	H
	100mV 1kHz	-	2.5	-	H
Shunt loss R _p ⁽⁴⁾	10mV 200Hz	8	-	-	kΩ
	10mV 1kHz	12	-	-	kΩ

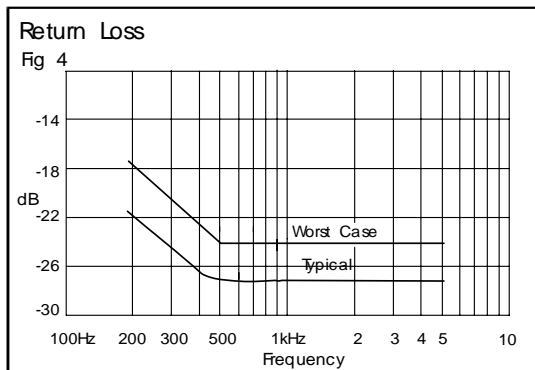
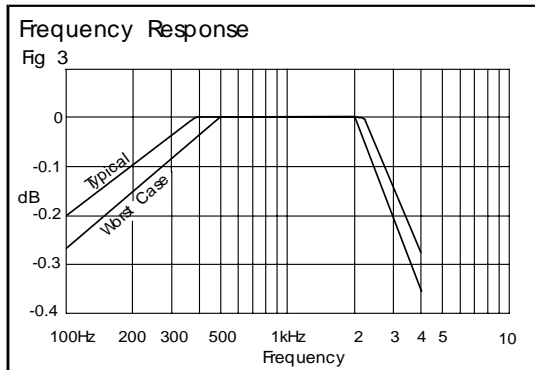
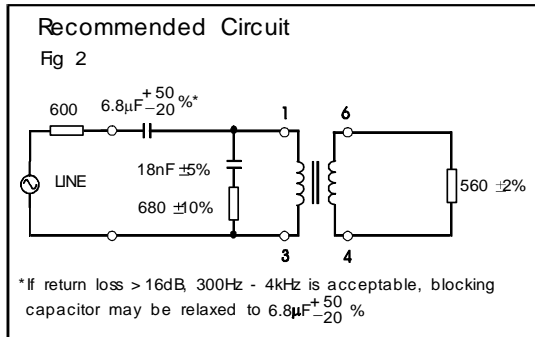
Notes

1. Third harmonic typically exceeds other harmonics by 20dB.
2. Components are 100% tested at 6.5kV DC.
3. Caution: do not pass DC through windings. Telephone line current, etc. must be diverted using choke or semiconductor line hold circuit.
4. At signal levels greater than 100mV, L_p will increase and R_p will decrease slightly but the effect is usually favourable to the return loss characteristic.



PERFORMANCE CHARACTERISTICS

600Ω MATCH



EUROPEAN CTR21 COMPLEX MATCH

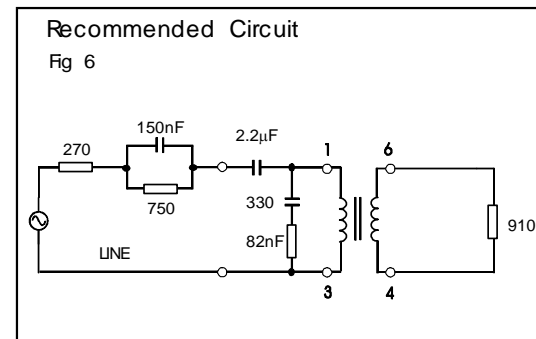
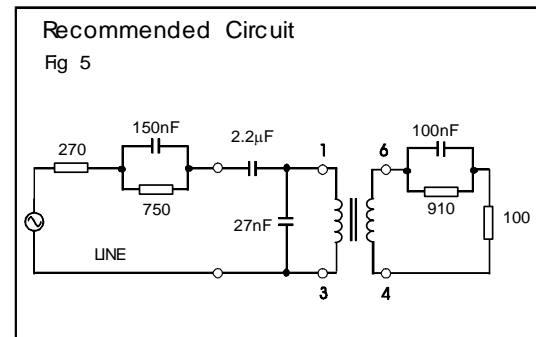
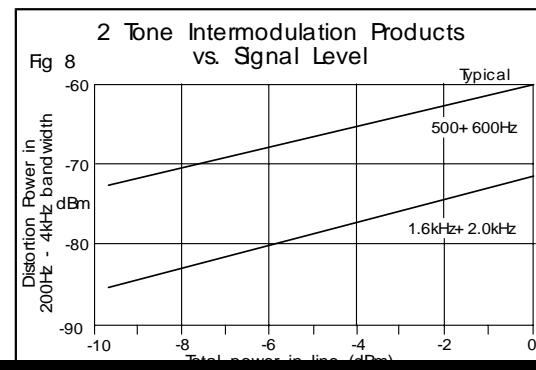
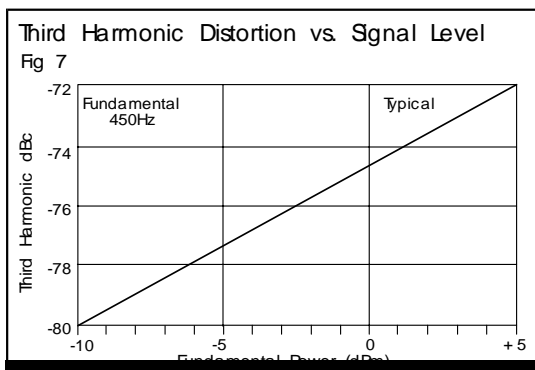


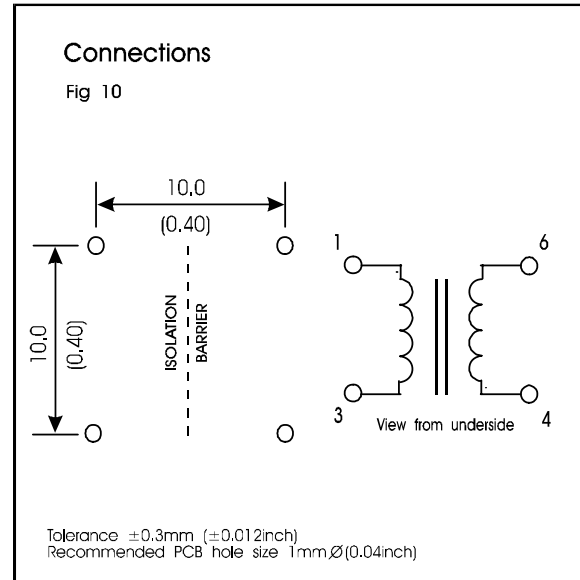
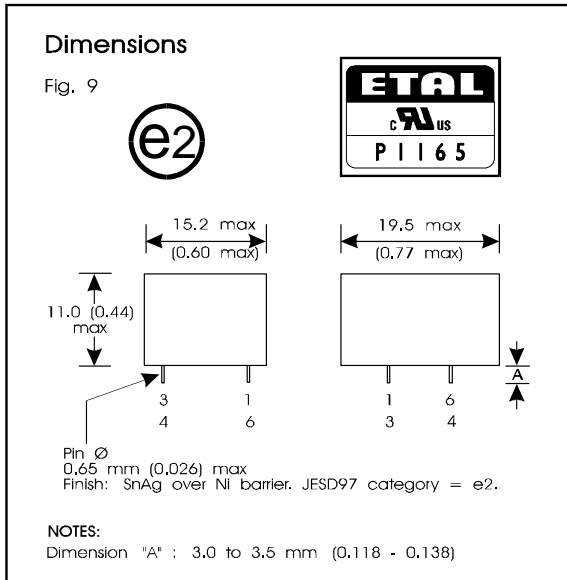
Figure 5 gives flat RX and TX responses against the reference impedance (typically around ±0.5dB 200Hz - 4kHz). Return loss is typically better than 20dB. The 150nF capacitor should be of a temperature stable dielectric. In practice, the 100ohm resistor will normally connect to a low impedance TX output.

For circuits with existing board drillings, figure 6 gives good return loss (>20dB) against the reference impedance, but TX and RX flatness are degraded by the use of this topology.

For recommended matching to other reference impedances please contact ETAL.



CONSTRUCTION



Dimensions shown are in millimetres (inches).

Geometric centres of outline and pin grid coincide within a tolerance circle of 0.6mm

Windings may be used interchangeably as primary or secondary.

SAFETY

Constructed in accordance with IEC 60950-1:2001, EN60950-1:2001 and UL 60950-1 First Edition, supplementary insulation, 250Vrms maximum working voltage, flammability class V-0.

Distances through solid insulation 0.4mm minimum.

CERTIFICATION

Certified under the IEC CB scheme (Certificate DK-9431) to IEC 60950-1:2001, sub-clauses 1.5, 1.5.1, 1.5.2, 1.7, 1.7.1, 2, 2.9, 2.9.1, 2.9.2, 2.9.3, 2.10, 2.10.1, 2.10.2, 2.10.3, 2.10.3.1, 2.10.3.3, 2.10.4, 2.10.5, 2.10.5.1, 2.10.5.4, 4, 4.7, 4.7.1, 4.7.3, 4.7.3.1, 4.7.3.4, 5, 5.2, 5.2.1, and 5.2.2 for a maximum working voltage of 250Vrms, nominal mains supply voltage not exceeding 300Vrms and a maximum operating temperature of 85°C in Pollution Degree 2 environments, supplementary insulation, including national differences for Denmark, Finland, Germany, Norway, Sweden, Switzerland, USA, Canada and UK.

Recognized under the Component Recognition Program of Underwriters Laboratories Inc. to US and Canadian requirements CAN/CSA C22.2 No. 60950-1-03/UL60950-1, First Edition, based on IEC 60950-1, First Edition, maximum working voltage 250Vrms, Pollution Degree 2, reinforced insulation.

UL File number E203175.

Additionally, Profec Technologies certifies all transformers as providing voltage isolation of 3.88kVrms, 5.5kV DC minimum. All shipments are supported by a Certificate of Conformity to current applicable safety standards.

ABSOLUTE MAXIMUM RATINGS

(Ratings of components independent of circuit).

Short term isolation voltage (2s)	4.6kVrms, 6.5kV DC
DC current	100 μ A
Storage temperature	-40°C to +125°C
Lead temperature, 10s	260°C

COPYRIGHT

ETAL, and P1165 are Trade Marks of Profec Technologies Ltd.

The Trade Mark ETAL is registered at the UK Trade Marks Registry.

Profec Technologies Ltd. is the owner of the design right under the Copyright Designs and Patents Act 1988 and no rights or licences are hereby granted or implied to any third party.

© 1997 - 2006 Profec Technologies Ltd.
Reproduction prohibited.



ETAL Group Oy, Kuormatie 14, FIN-03101, Nummela
Telephone: +358 (0)20 7500 330 Fax: +358 (0)20 7500 333
Website: www.etalgroup.com Email: etalgroup@egruppen.com

