

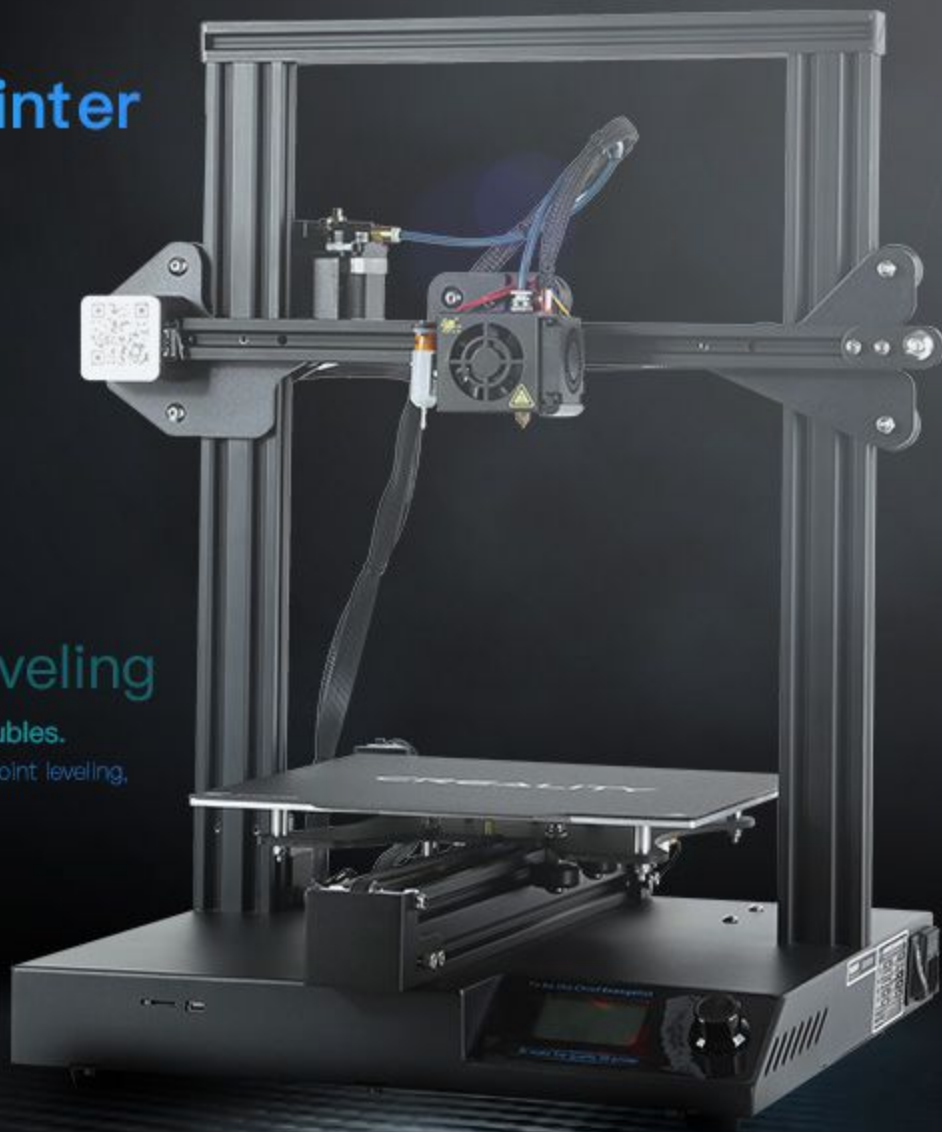
Upgraded Chip Newly 3d printer

Simple but exquisite

Matrix automatic leveling

Great News For Users who have level troubles.

Imported Bill Touch automatic leveling device, 9-point leveling, simplifying the leveling process.



Problems a lot?

STILL troubling you?

THE PROBLEM

SWEEP THE FLOOR TO
TROUBLE A LOT OF ARE THESE QUESTIONS BOTHERING YOU



Leveling failure



Low precision



Plugging



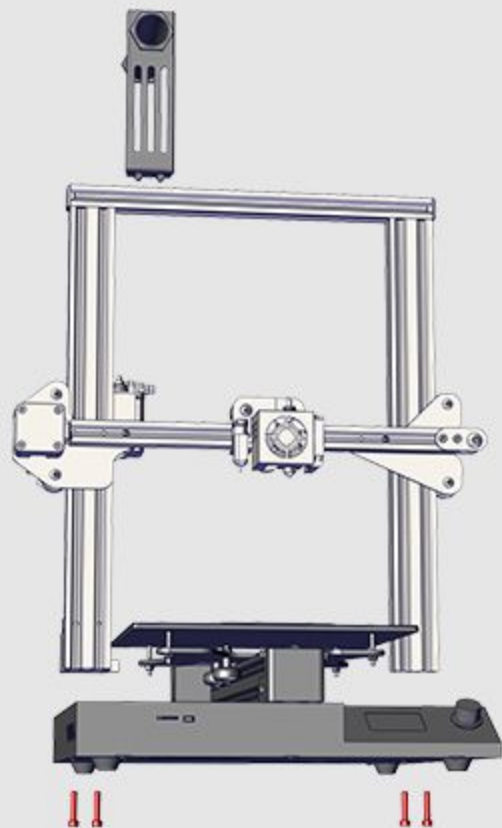
Filament Stringing

EASILY SOLVED

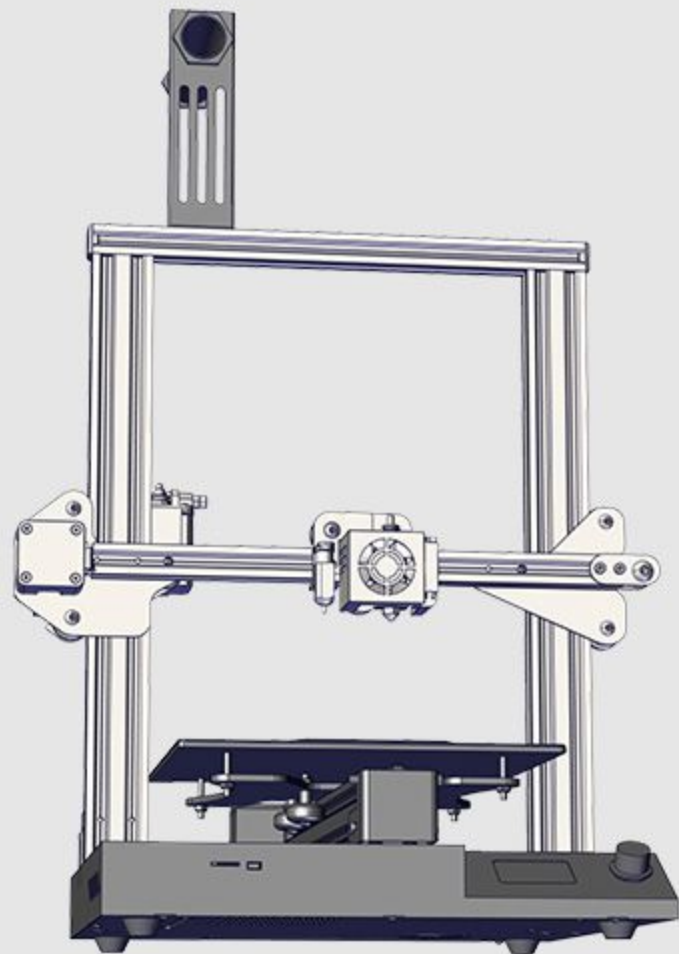
Simple but exquisite

4+2 screws for quick installation

Two modules, just needs six screws and can be quickly installed



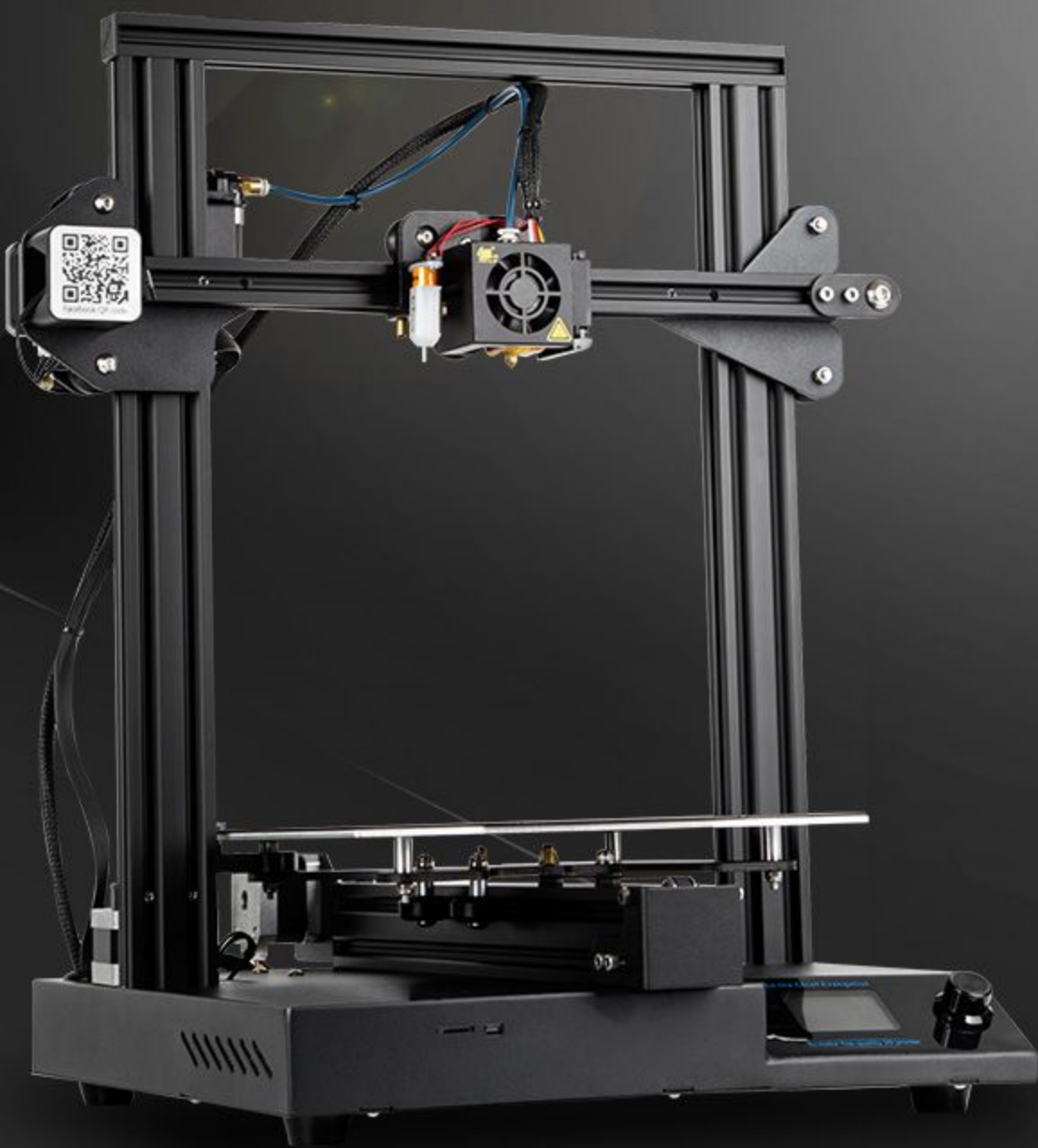
Before



After

Integrated Module design

Meet all your requirement, More creative ideas can be shown.



More intelligent 3D printer

More upgrade More Surprise

Stable and reliable, continuously
print 200 hours without any problem.



Automatic leveling



Quickly heating up



Resume printing



High precision printing



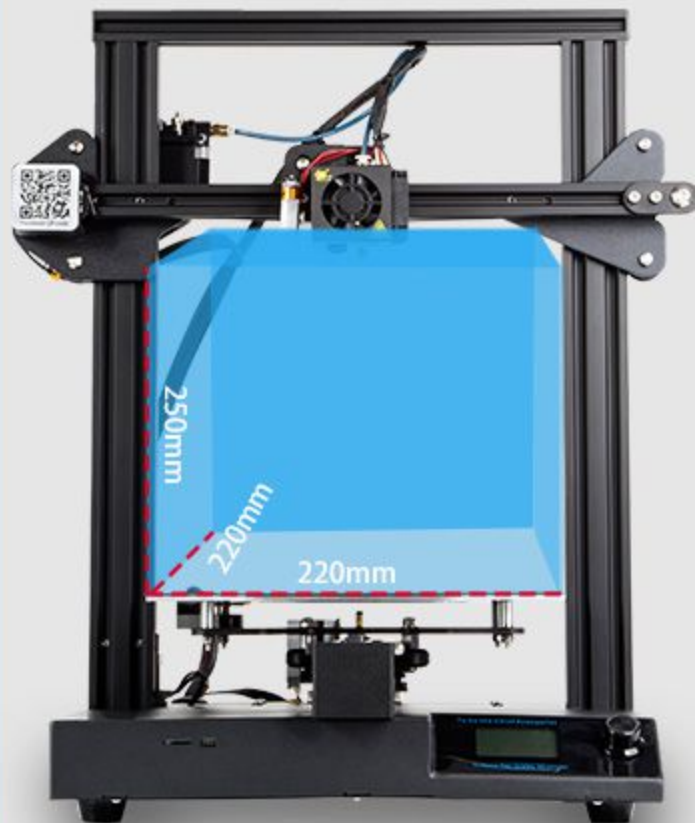
Filament detection

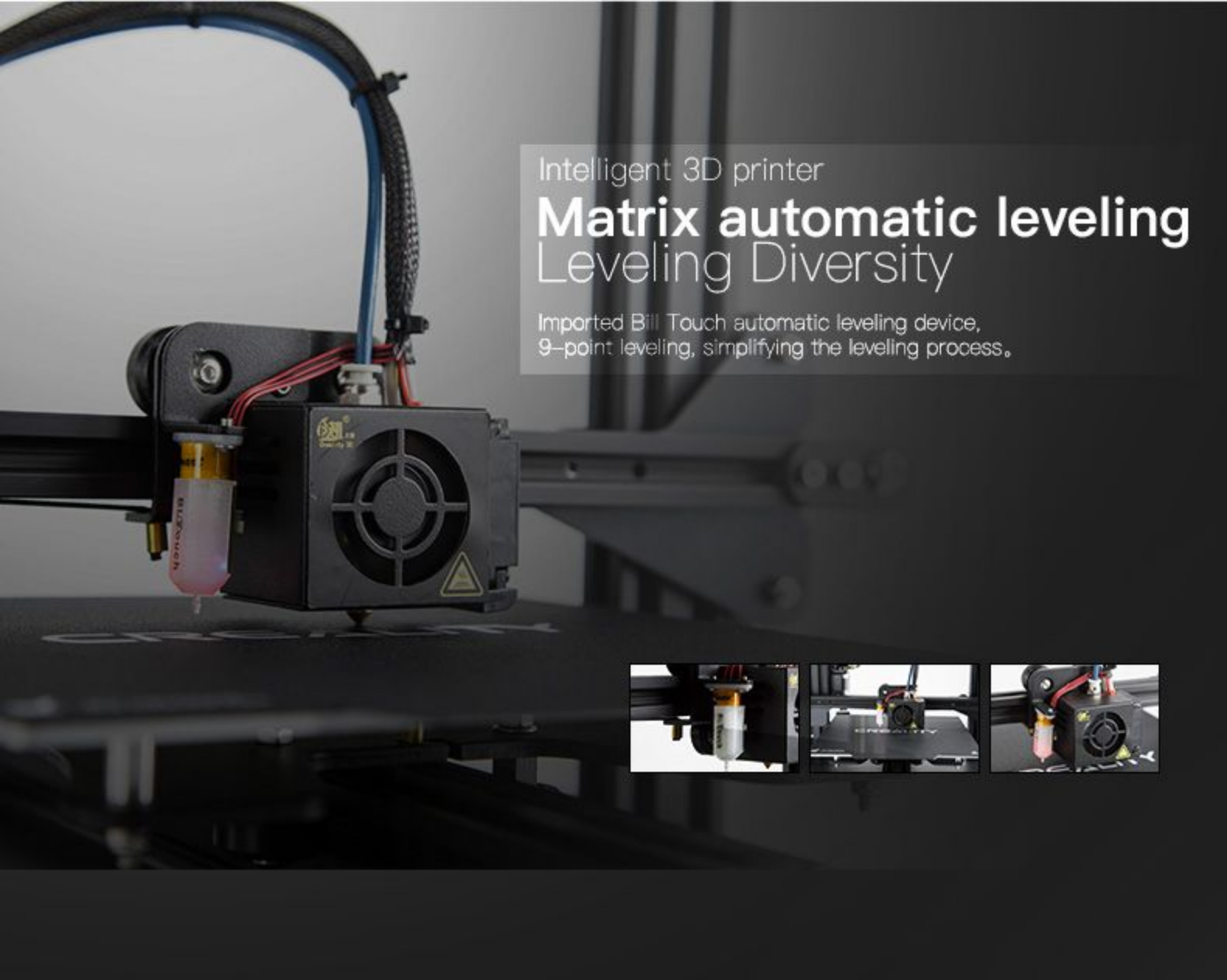


Brand power supply

CR20 Pro Parameter

Molding Tech.	FDM
Printing Size	220*220*250mm
Printing Speed	≤100mm/s, Normal 30–60mm/s
Precision	±0.1mm
Slice Thickness	0.1–0.4mm
Nozzle Diameter	Standard 0.4mm, can be in 0.2, 0.3mm
Nozzle Number	1
Nozzle Temp.	≤250°C
Bed Temp.	≤110°C
Working Mode	Online or SD card offline
File Format:	STL, Obj, amf
Slice Software	Cura/Repetier-Host/Simplify3D
Total Power	270W
Filament	PLA、ABS、TPU
Filament Diameter	1.75mm
Power Supply	Input: AC 100–120V/6.8A 200–240V/3.4A 50/60Hz Output: DC 24V





Intelligent 3D printer

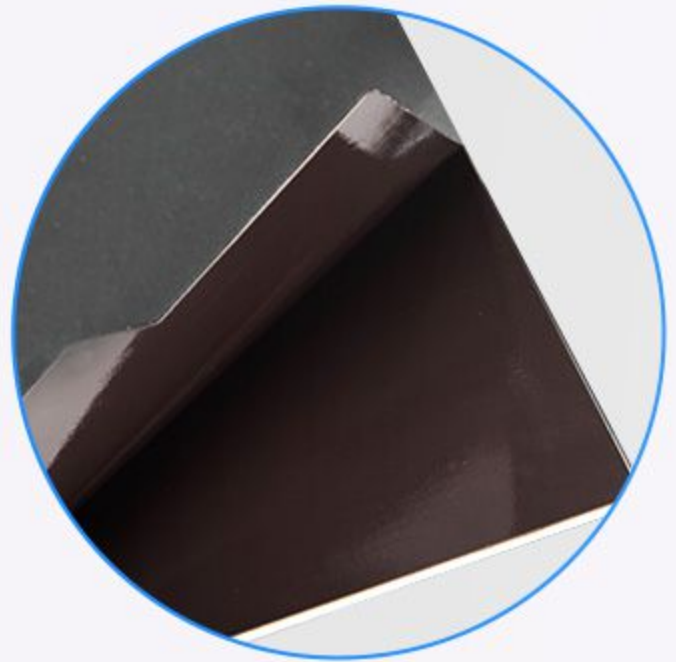
Matrix automatic leveling Leveling Diversity

Imported Bill Touch automatic leveling device,
9-point leveling, simplifying the leveling process.



Newly Cmagnetic sticker

Cmagnetic sticker, Better adhere to the platform, No need to use textured paper and glue anymore.easier to remove the model and solve the printing edge problem, more cost-effective.



High Standard Structure

Patent Technology 2: The V-profile pulley moves more stable and smoothly, with lower noise and wear resistance.

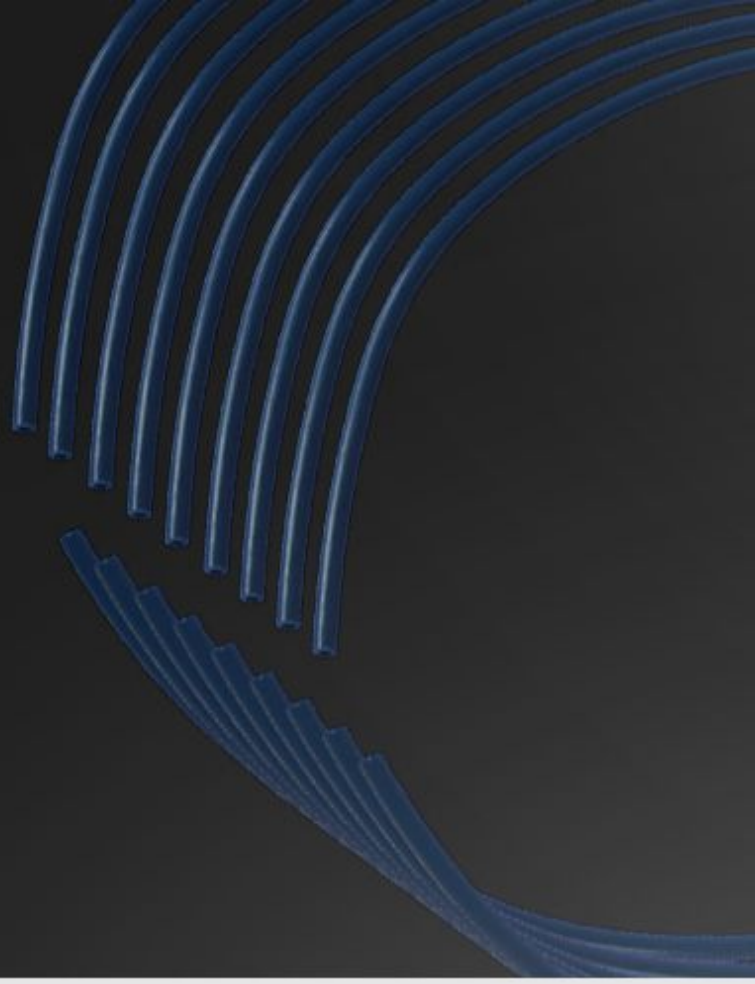


Patent No.: ZL 2015 2 0331477.8



Imported Teflon tube

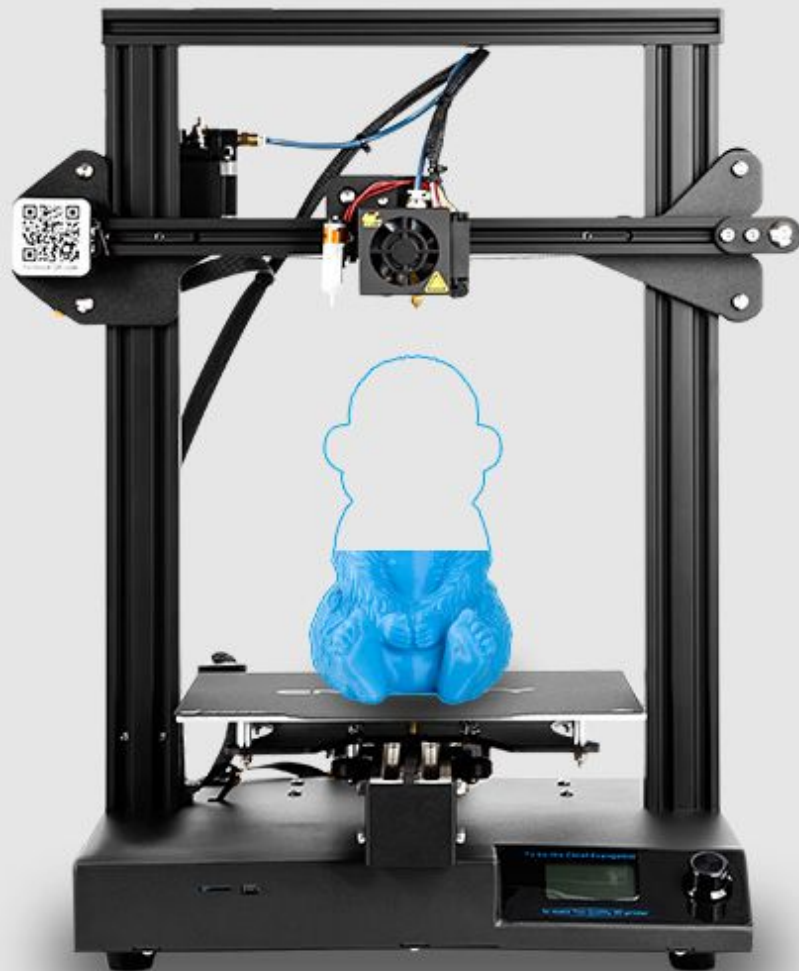
Imported blue Teflon tube with high temperature resistant makes the feeding smoother, but improves the printing quality.



Intelligent 3D printer

Resume printing While power-off

Safely protect the power supply, with this function, which can help achieving long-time printing.



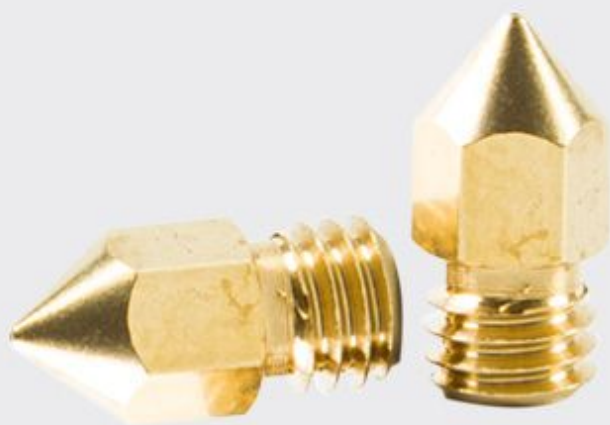
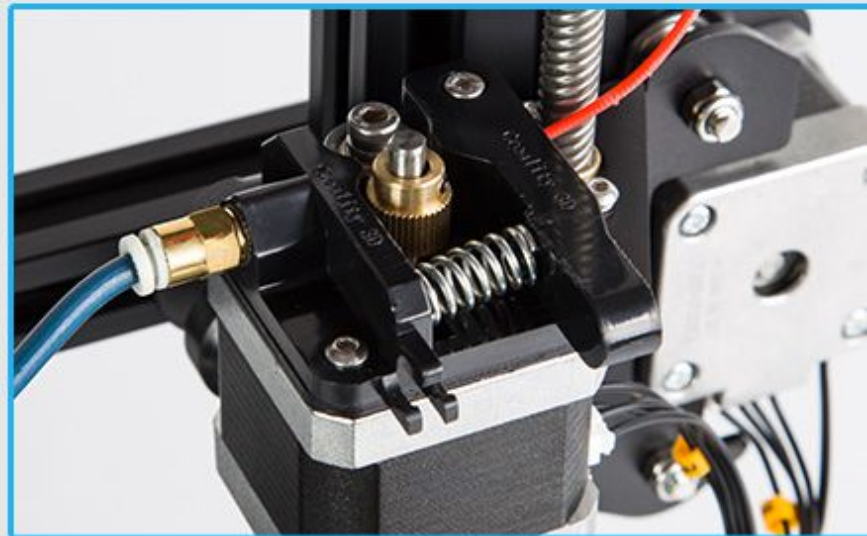
PRODUCT DETAILS

All real shots



Rigid coupling

Extrusion



Brass nozzle

APPLICATION FIELD

All real shots



Industrial



Architectural



Medical area



Movie property



Home

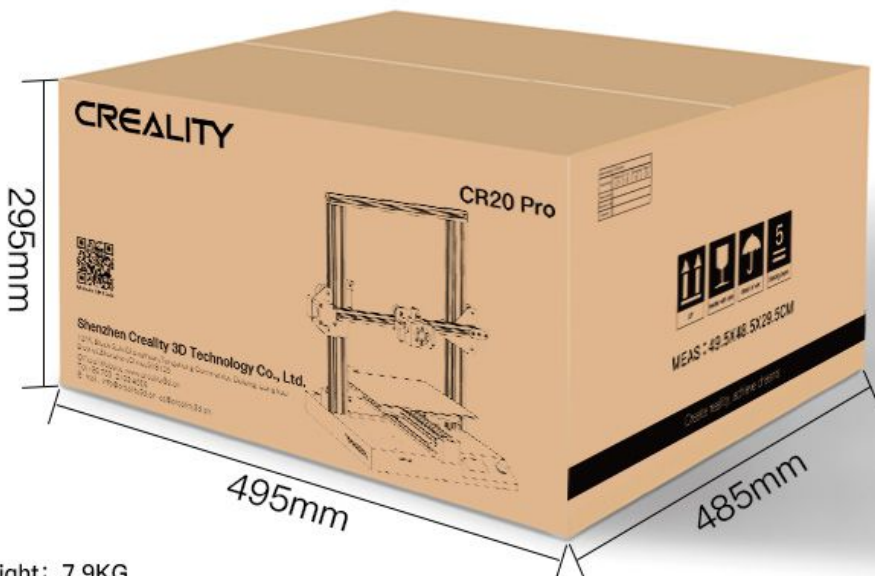


3D portrait

More fields are waiting for you to discover.....

CARTON SIZE

All real shots



Net Weight: 7.9KG

Printer Size: 420*440*470mm

Gross Weight: 10.1KG

Package Size: 495*485*295mm



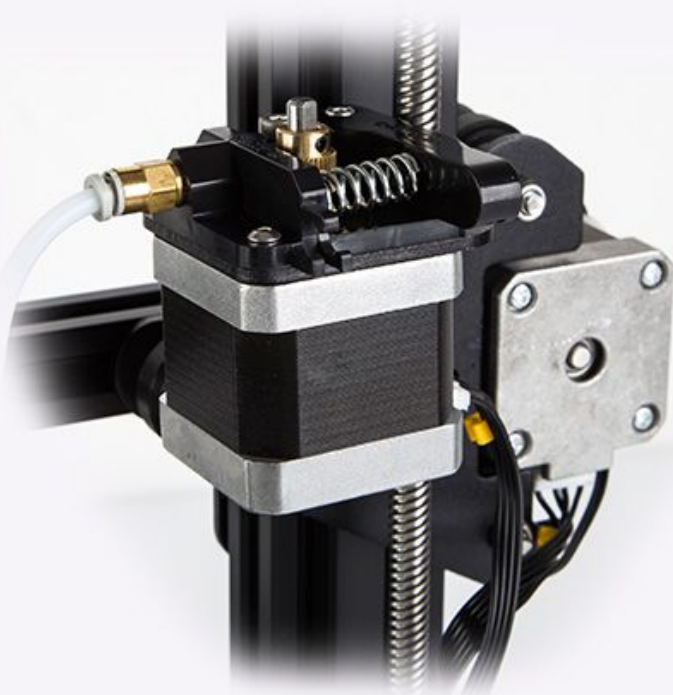
Brand power supply Realizing stable printing

High-power 270W brand power supply.

Long time printing

Upgraded Extruder

Patent Technology 1: MK-10 Extrusion mechanism, reducing the risk of plugging and spillage.



Patent No.: 2016200045384

COMPANY

All real shots



CREALITY

Always chase better, never fall behind

Creality 3d always committed to continuously improving the production of 3D printers with higher technology capabilities.



Brand Culture

Founded in 2014, Shenzhen Chuangxiang 3D Technology Co., Ltd. is an R&D manufacturer in the 3D printing industry in China, dedicated to building 3D

Creakuty 3D will develop 3D printing and the Internet at the same time in the future development, continuously innovate in technology, and continuously optimize product lines.

Committed to creating a special 3D printing production kingdom, to meet your imagination of three-dimensional molding, so that your dreams are possible.

People enjoy the convenience brought by 3D printing technology.

Honor

